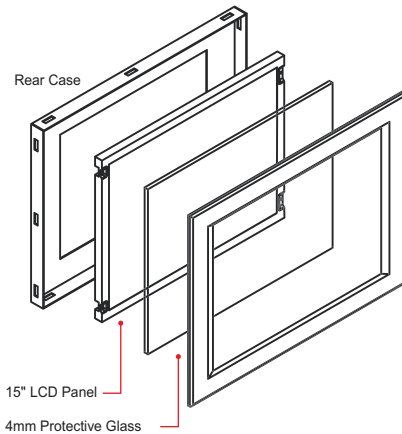


# 15" Front Aluminum LCD Panel



AP

## A Applications

- Industrial process control
- Point of sales / Kiosk
- Security / Surveillance
- Touchscreen display panel

## + Options

- Touchscreen
- S-Video, RCA, BNC & DVI input
- DC power input ( 12 / 24 / 48 VDC )
- Audio input with speaker
- TV tuner with remote controller
- Standard remote controller for AV, VGA, DVI input

## D Design features

- 6mm Aluminum front bezel with 45° chamfer
- OSD control keys to optimize the display
- Rugged construction against external impact
- Modularized design saves maintenance cost

## Specifications

### LCD Panel



Panel Grading	Class A TFT LCD panel
Panel Size (in.)	15"
Optimum Resolution	1024 x 768
Display Color	16.2M
Brightness-nits (cd/m <sup>2</sup> )	250
Contrast Ratio	700 : 1
Pixel Pitch (mm)	0.297 x 0.297
Viewing Angle (L/R/U/D)	75 / 75 / 75 / 60
OSD Control	Brightness, Contrast, Phase & Clock, Color, H & V position, Auto-tune & Recall
Connector(s)	D-Sub 15 pin VGA analog
LCD Panel MTBF (hrs)	50,000
Power	100~240VAC via AC adapter
Mounting	VESA-mount, Mounting bracket and OEM mounting design
Dimensions (mm)	390 x 55 x 300 (W x D x H)

Operating Temperature	0° to 50° C
Storage Temperature	-5° to 60° C
Humidity	5~90%, non-condensing
Shock	10G peak acceleration (11ms duration)
Vibration	5-500Hz, 1G RMS random vibration
Weight (Kg)	3.5 (net) / 5.5 (gross)
Packing (mm)	558 x 105 x 473 (W x D x H)

Model no.	Description
AP-15	15" front aluminum LCD panel with VGA input
AP-15AV	15" front Al. LCD panel with VGA, S-Video+RCA input
AP-15DVI	15" front Al. LCD panel with VGA, DVI input
AP-15BNC	15" front Al. LCD panel with VGA, S-Video+BNC input
AP-15 / DC12	15" front Al. LCD panel with VGA input, 12V DC input
AP-15 / DC24	15" front Al. LCD panel with VGA input, 24V DC input
AP-15 / DC48	15" front Al. LCD panel with VGA input, 48V DC input

## Dimension Drawings (mm)

