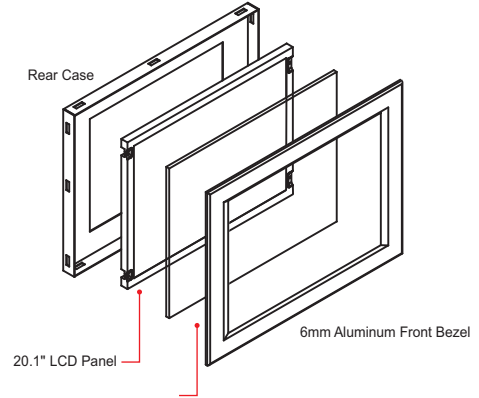
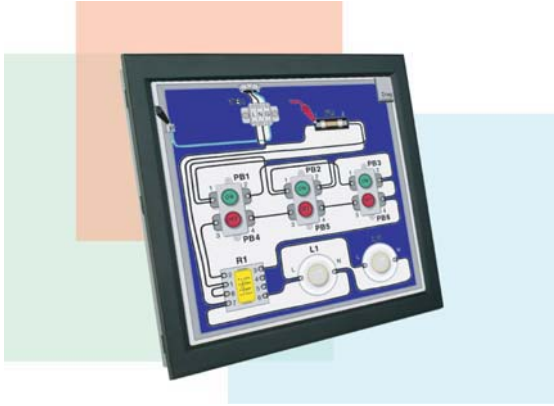


20.1" Front Aluminum LCD Panel



A Applications

- Embedded display unit
- Industrial automation LCD panel
- Gaming, lottery & amusement display
- Touchscreen display panel

+ Options

- Touchscreen
- S-Video, RCA & BNC input
- DC power input (12 / 24 / 48 VDC)
- Audio input with speaker
- TV tuner with remote controller
- Standard remote controller for AV, VGA input

D Design features

- 6mm aluminum front bezel with 45° chamfer
- OSD control keys to optimize the display
- Rugged construction against external impact
- Modularized design saves maintenance cost

Specifications

LCD Panel	Class A TFT LCD panel
Panel Grading	Class A TFT LCD panel
Panel Size (in.)	20.1"
Optimum Resolution	1600 x 1200
Display Color	16.7M
Brightness-nits (cd/m ²)	300
Contrast Ratio	800 : 1
Pixel Pitch (mm)	0.255 x 0.255
Viewing Angle (L/R/U/D)	80 / 80 / 80 / 80
OSD Control	Brightness, Contrast, Phase & Clock, Color, H & V position, Auto-tune & Recall
Connector(s)	D-Sub 15 pin VGA analog
LCD Panel MTBF (hrs)	50,000
Power	100~240VAC via AC adapter
Mounting	VESA-mount, Mounting bracket and OEM mounting design
Dimensions (mm)	489 x 71 x 393 (W x D x H)

Operating Temperature	0° to 50° C
Storage Temperature	-5° to 60° C
Humidity	5~90%, non-condensing
Shock	10G peak acceleration (11ms duration)
Vibration	5-500Hz, 1G RMS random vibration
Weight (Kg)	7 (net) / 9 (gross)
Packing (mm)	653 x 112 x 558 (W x D x H)

Model no.	Description
AP-20	20.1" front aluminum LCD panel with VGA input
AP-20AV	20.1" front Al. LCD panel with VGA, S-Video+RCA input
AP-20DVI	20.1" front Al. LCD panel with VGA, DVI input
AP-20BNC	20.1" front Al. LCD panel with VGA, S-Video+BNC input
AP-20 / DC12	20.1" front Al. LCD panel with VGA input, 12V DC input
AP-20 / DC24	20.1" front Al. LCD panel with VGA input, 24V DC input
AP-20 / DC48	20.1" front Al. LCD panel with VGA input, 48V DC input

