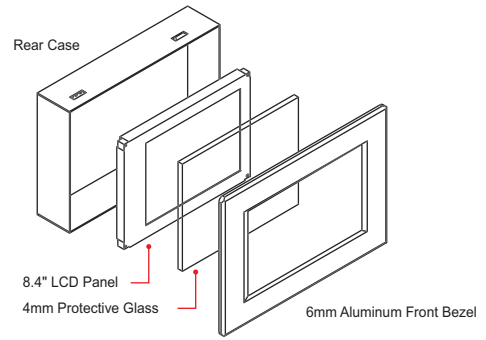


8.4" Front Aluminum LCD Panel



A Applications

- Embedded display unit
- Industrial automation LCD panel
- Gaming, lottery & amusement display
- Touchscreen display panel

+ Options

- Touchscreen
- S-Video, RCA & BNC input
- DC power input (12 / 24 / 48 VDC)
- Audio input with speaker
- TV tuner with remote controller
- Standard remote controller for AV, VGA input

D Design features

- 6mm aluminum front bezel with 45° chamfer
- OSD control keys to optimize the display
- Rugged construction against external impact
- Modularized design saves maintenance cost

Specifications

LCD Panel



Panel Grading	Class A TFT LCD panel
Panel Size (in.)	8.4"
Optimum Resolution	800 x 600
Display Color	262K
Brightness-nits (cd/m ²)	220
Contrast Ratio	500 : 1
Pixel Pitch (mm)	0.213 x 0.213
Viewing Angle (L/R/U/D)	65 / 65 / 65 / 45
OSD Control	Brightness, Contrast, Phase & Clock, Color, H & V position, Auto-tune & Recall
Connector(s)	D-Sub 15 pin VGA analog
LCD Panel MTBF (hrs)	50,000
Power	100~240VAC via AC adapter
Mounting	VESA-mount, Mounting bracket and OEM mounting design
Dimensions (mm)	251 x 43 x 184 (W x D x H)

Operating Temperature	0° to 50° C
Storage Temperature	-5° to 60° C
Humidity	5~90%, non-condensing
Shock	10G peak acceleration (11ms duration)
Vibration	5-500Hz, 1G RMS random vibration
Weight (Kg)	2 (net) / 4 (gross)
Packing (mm)	523 x 100 x 403 (W x D x H)

Model no.	Description
AP-8	8.4" front aluminum LCD panel with VGA input
AP-8AV	8.4" front AI. LCD panel with VGA, S-Video+RCA input
AP-8BNC	8.4" front AI. LCD panel with VGA, S-Video+BNC input
AP-8 / DC12	8.4" front AI. LCD panel with VGA input, 12V DC input
AP-8 / DC24	8.4" front AI. LCD panel with VGA input, 24V DC input
AP-8 / DC48	8.4" front AI. LCD panel with VGA input, 48V DC input

Dimension Drawings (mm)

