

Cat5-IP08 / Cat5-IP16 / Cat5-IP32



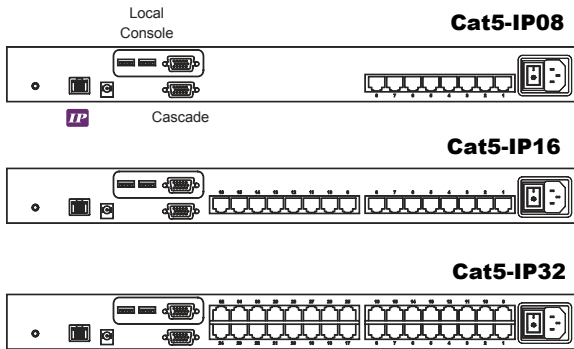
Combo Cat6 IP KVM Benefits

- ▶ Combo Cat6 KVM with either 8, 16 or 32 ports in 1U
- ▶ Up to 40 meters between your servers & KVM ports
- ▶ IP remote access across the world wide web
- ▶ Cascade switches up to 8 levels & Mix switches between Cat6 & Combo DB-15 KVM
- ▶ Support DVI-USB, VGA-USB & VGA-PS/2 server interface
- ▶ Mix PS/2, USB & SUN with Multi-Platform switch capability

Switch Features & Options

- Multi lingual on screen display menu
- Advanced user profiles and configurable OSD hot key combinations
- Dual power with failover

DC 12V, 24V and 48V DC Power options



Ordering Information

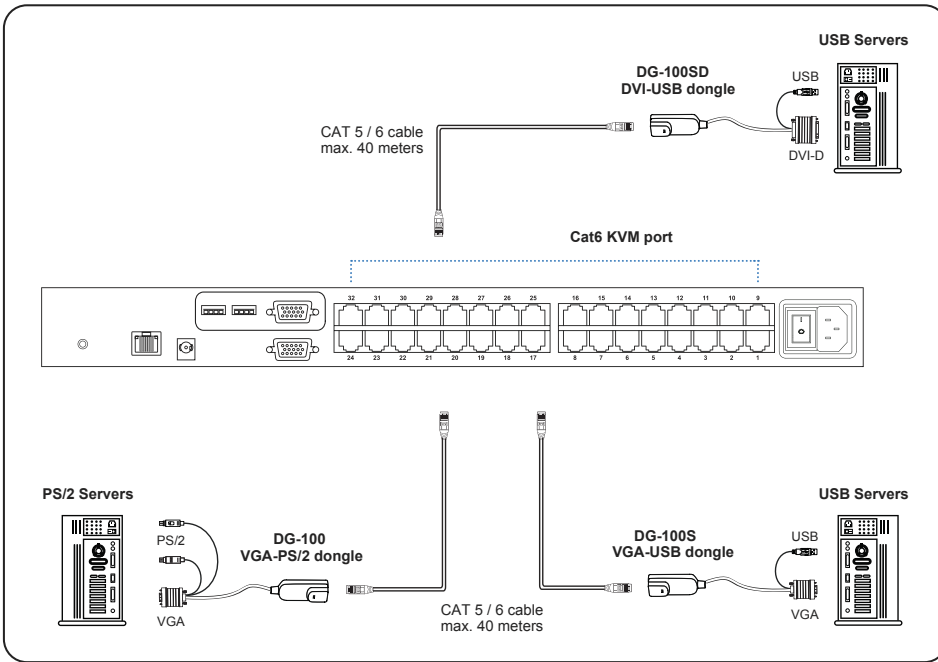
Console	Local	Remote	IP	8-port	16-port	32-port
	1	0	1	Cat5-IP08	Cat5-IP16	Cat5-IP32

KVM Specification

■ KVM Port Number of ports: 8, 16 or 32 Connector: RJ-45 Connectivity: DVI-D / VGA connector dongle up to 40 meters (132 feet) via Cat6 / Cat5 cable	
■ Local Console Graphic Connector: 1 x DB-15 VGA Resolution: Up to 1600 x 1200 Input device: 2 x USB type A for keyboard & mouse	
■ IP Remote Console Connector: RJ45 Ethernet User management: 15-user login, 1 x active user Network protocol: DHCP / BOOTP / DNS Security: SSL v3, RSA, AES, HTTP / HTTPS, CSR Resolution: Up to 1600 x 1200 Browser: IE, Firefox, Safari, Netscape	
■ Expansion: Up to 256 servers by 8-level cascade	
■ Compatibility Multi-platform: Mix PCs, SUN and Mac G3 / G4 Mac / iMac Support: Windows 7 / Vista / 2003 / XP, Linux, Unix	

■ Power Input: 100 or 240V AC at 50 or 60 Hz via IEC type cord OR AC / DC power adapter 12V@3.3A (optional) Option DC: 12V / 24V / 48V DC input Consumption: Max. 24 Watt, Standby 5 Watt	
■ Regulatory Approval: cUL, FCC, CE	
■ Environmental Operating: 0 to 50°C Storage: -5 to 60°C Relative humidity: 90%, non-condensing Shock: 50G peak acceleration (11ms, half-sine wave) Vibration: 58~100Hz / 0.98G (11ms / cycle)	
■ Product Information Dimension (W x D x H): 443 x 171 x 43.6 mm / 17.4 x 6.7 x 1.72 inch Net weight: 3 kg / 6.5 lb	
■ Packing Information Dimension (W x D x H): 500 x 400 x 90 mm / 19.7 x 15.7 x 3.5 inch Gross weight: 5 kg / 11 lb	

KVM port & Cat6 dongle connection



DVI-USB dongle

- To connect DVI-D connector to the computer's video card
- To connect USB connector to the computer's USB port



VGA-USB dongle

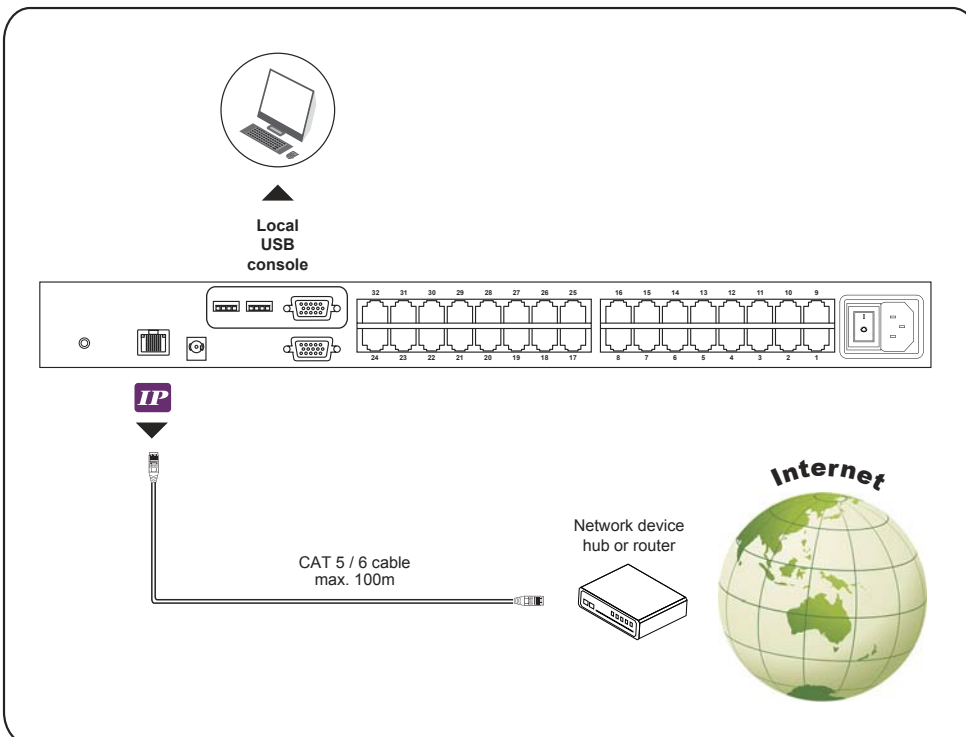
- To connect DB-15 connector to the computer's video card
- To connect USB connector to the computer's USB port



VGA-PS/2 dongle

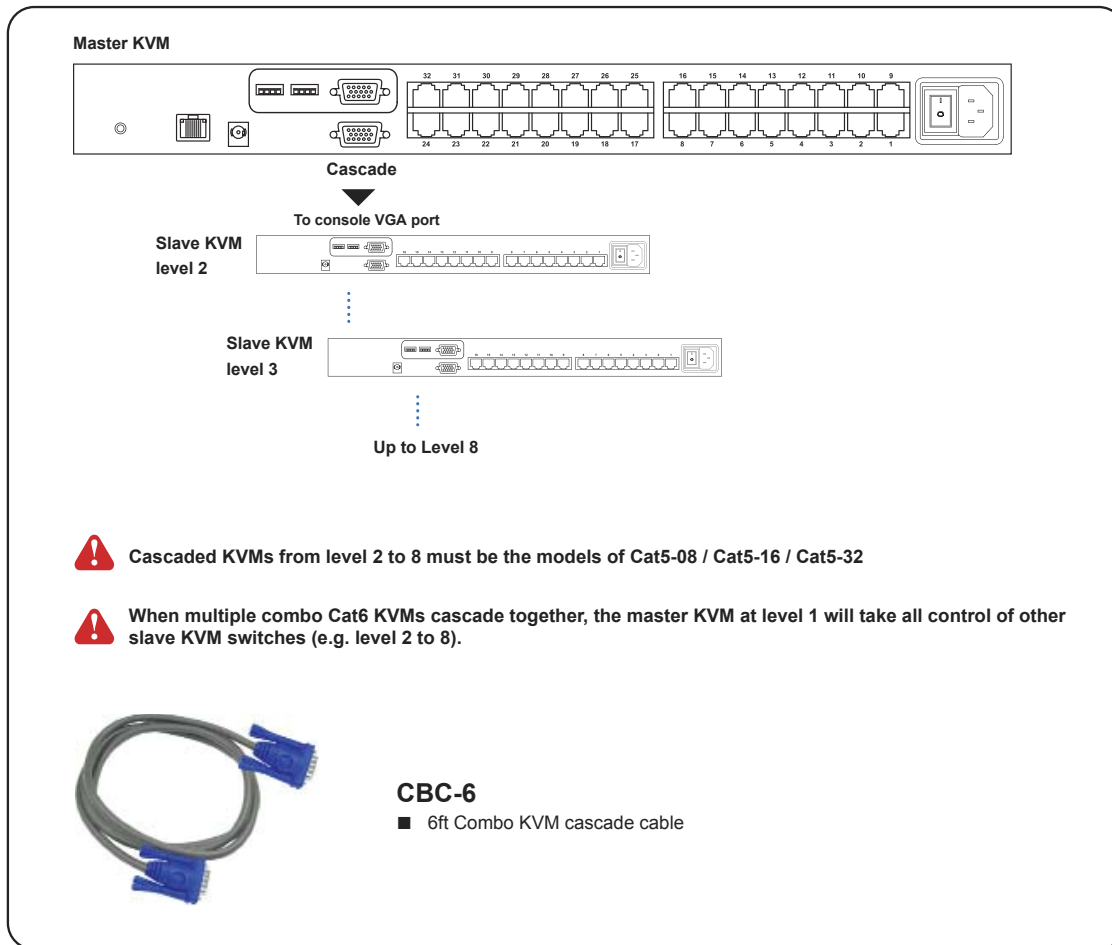
- To connect DB-15 connector to the computer's video card
- To connect PS/2 keyboard connector to the computer's keyboard port
- To connect PS/2 mouse connector to the computer's mouse port

IP & Local console connection



KVM Cascade

- Cascade up to 8 levels, 256 servers
- Cascading multiple KVM with CBC-6 cascade cable.



⚠ For detailed product specifications and options, please download the user manual from the link below :
www.rackmountsales.com/v/pdf/citcat5umkvmipkvm13.pdf