

Matrix Multi-User Cat6 IP KVM Benefits

- ▶ Secure IP remote user access across the world wide web
- ▶ Efficient system management with simultaneous multi-user access
- ▶ Capable of connecting 32 or 16 servers per device in 1U
- ▶ Support DVI-USB, VGA-USB & VGA-PS/2 server interface
- ▶ Up to 40 meters between your server & KVM switch
- ▶ Enhanced Cat6 cable management with remote access over 300m



Designed for:

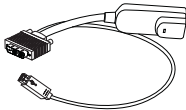


Switch Features & Options

- Provide a diversity of consoles to access servers independently and simultaneously
- Use of the RJ45 Cat6 interface allows for a higher number of ports in smaller density
- Greater distances between your switch and servers allow enhanced data centre rack layouts
- Multi lingual on screen display menu
- Advanced user profiles and configurable OSD hot key combinations

DC 12V, 24V and 48V DC Power options

Accessories



DVI-USB dongle



VGA-USB dongle



VGA-PS/2 dongle



3ft Matrix KVM cascade cable



Cat6 cable - 3, 6, 10, 15 & 33 ft

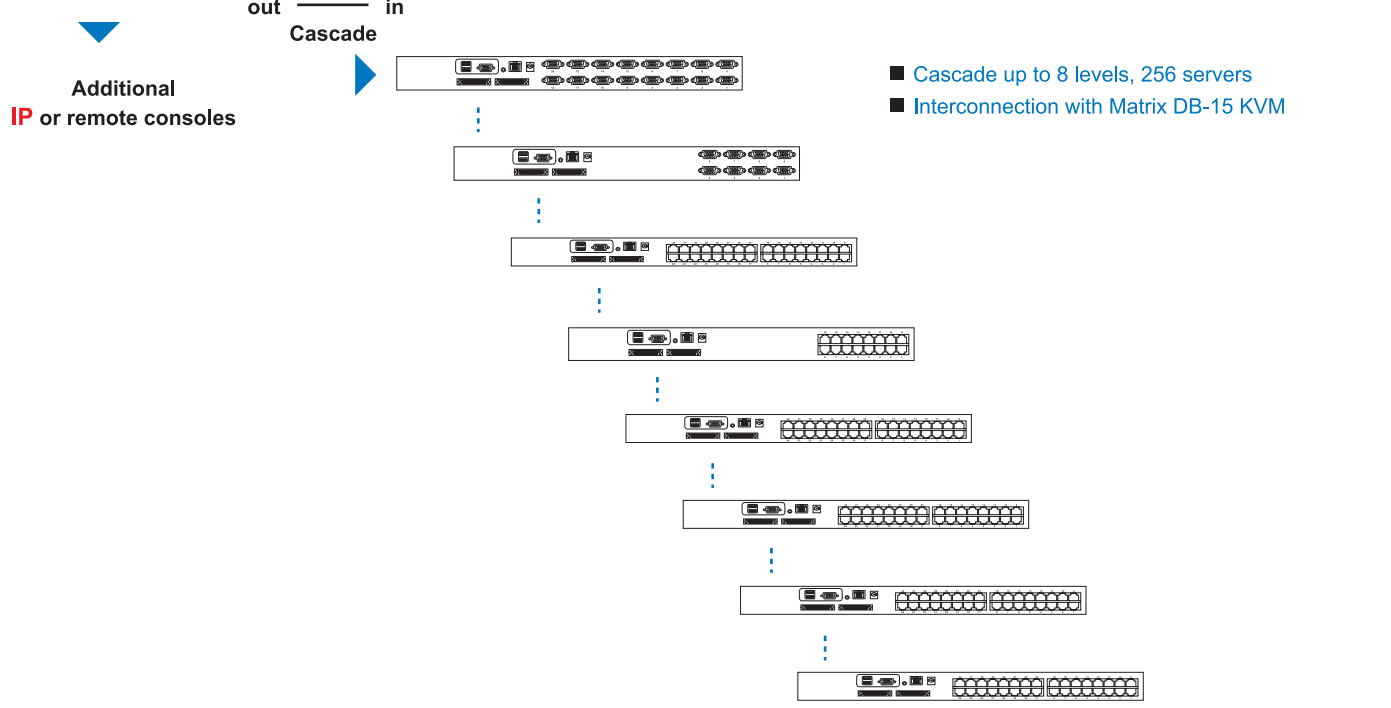
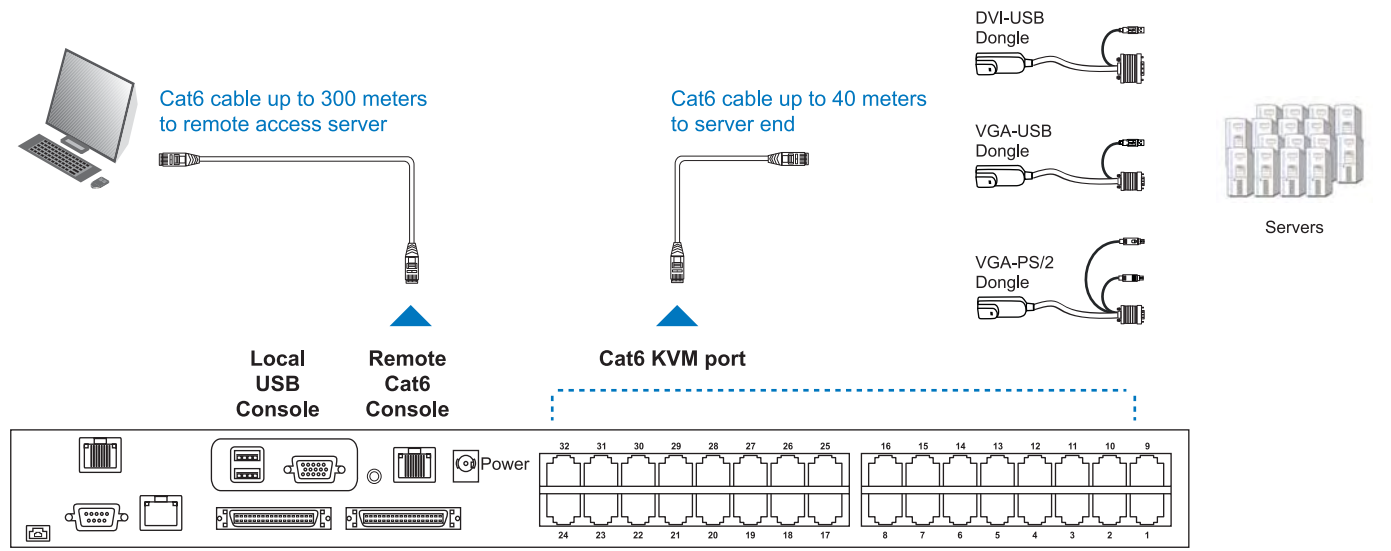
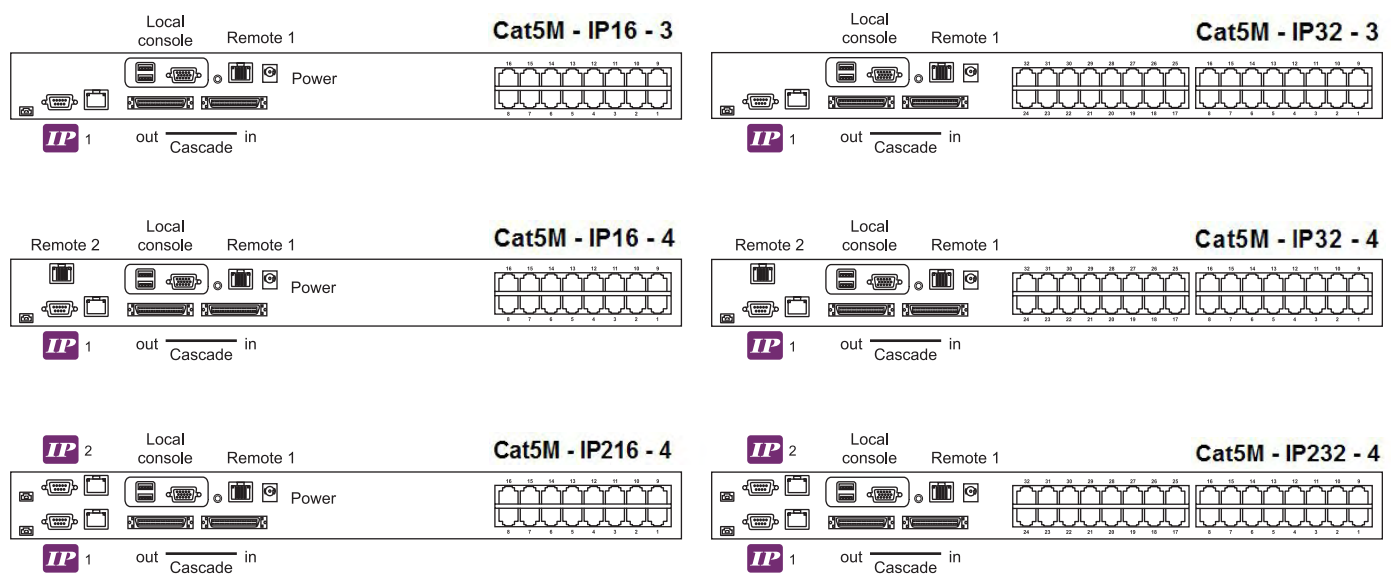
Technical Specification

- **KVM Port :** 32 / 16 x RJ45 connector
- **KVM Dongle :** DVI-D / VGA connector dongle up to 40 meters (132 feet)
Cat6 / Cat5 cable
- **Simultaneous Console Access**
 - Local : 1 x DB-15 VGA (up to 1600 x 1200), 2 x USB for KB & MS
 - Remote (1 or 2) : 1 x RJ45, up to 300 meters (1000 feet)
Cat6 / Cat5 cable
 - IP Access (1 or 2) : 1 x RJ45 Ethernet, 1 x DB-9 serial & 1 x USB port
 - IP Security : SSL v3, RSA, AES, CSR, http & https internet access
15-user login (1 x active user)
- **Remote Receiver (1 or 2) :** 1 x DB-15 VGA (up to 1600 x 1200), 2 x USB for KB & MS
1 x KVM port for connecting an extra PC
- **Expansion :** Support mixed DB-15 or RJ45 Matrix KVM, up to 256 servers
- **Compatibility :** Mix PCs, SUNs, MACs, IBMs, HPs, DELLs server
Windows Vista / 2003 / XP / 2000, Linux, Netware, Unix
- **Power :** 100~240VAC, 50 / 60Hz 0.5A via AC / DC cord
- **Regulatory Approval :** FCC, CE
- **Environmental**
 - Operating / Storage : 0 to 50°C / -5 to 60°C
 - Relative humidity : 90%, non-condensing
 - Shock : 50G peak acceleration (11 ms, half-sine wave)
 - Vibration : 58~100Hz / 0.98G (11ms / cycle)

Dimensions

Model	Product Dimension (W x D x H)	Packing Dimension (W x D x H)	Net Weight	Gross Weight
Cat5M-IP16&IP32 Series	448 x 180 x 44 mm 17.6 x 7.1 x 1.73 inch	510 x 400 x 77 mm 20.1 x 15.7 x 3 inch	4 kg / 9 lbs	7 kg / 15 lbs

— Connect your *Matrix* Multi-User Cat6 *IP* KVM



Matrix Multi-User Cat6 KVM - IP Remote Access