

LCD Drawer Benefits

- ▶ 1U rackmount drawer with either 17" or 19" LCD
- ▶ Combo interface either PS/2 or USB input to the LCD drawer
- ▶ US keyboard layout with either trackball or touchpad selection
- ▶ "One Man" installation slides for easy, quick installation
- ▶ Slide rails with fixed positions to prevent drawer movement when typing
- ▶ Enhanced aesthetics with new molded front panel and two point lock



Options



BNC + S-Video



DVI-D



DC Power



Touch Screen



Audio

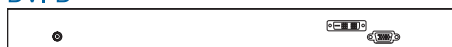
BNC + S-Video



Touchscreen - USB



DVI-D



Touchscreen - Serial



DC Power



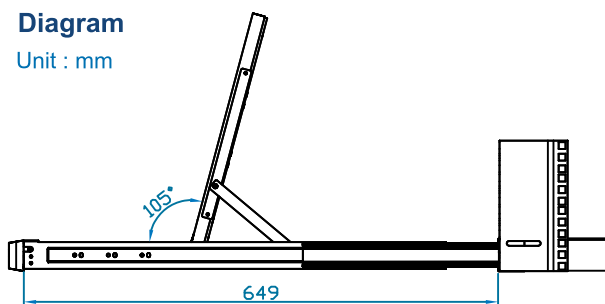
Audio




****With DVI-D or DC power option, the depth will be extended from 700mm (27 6") to 750mm (29 5") .**

Diagram


Unit : mm



Monitor  Grade A 17" or 19" industrial TFT LCD panel

Dimensions

| Model | Product Dimension (W x D x H) | Packing Dimension (W x D x H) | Net Weight | Gross Weight |
|-----------|--|--|----------------|----------------|
| 17 Series | 442 x 700 x 44 mm 17.4 x 27.6 x 1.73 inch | 589 x 856 x 168 mm 23.2 x 33.7 x 6.6 inch | 18 kg / 40 lbs | 24 kg / 53 lbs |
| 19 Series | 442 x 700 x 44 mm 17.4 x 27.6 x 1.73 inch | 589 x 856 x 168 mm 23.2 x 33.7 x 6.6 inch | 19 kg / 42 lbs | 25 kg / 55 lbs |

| Item | Description | | | | |
|---------------------------------|---|--------------------------------|--|----------------------|----------------------|
| Form Factor | 1U rack mounting on slide-out rails | | | | |
| LCD Manufacturer |  | | | - | |
| Series | RM Series | | | "S" | |
| Diagonal Size | 15" TFT | 17" TFT | 19" TFT | 17" TFT | 19" TFT |
| Max. Resolution | 1024 x 768 | 1280 x 1024 | 1280 x 1024 | 1152 x 900 (Direct) | 1152 x 900 (Direct) |
| | | | | 1280 x 1024 (Native) | 1280 x 1024 (Native) |
| Brightness (cd/m ²) | 250 | 300 | 300 | 300 | 300 |
| Color Support | 16.2 M | 16.7 M | 16.7 M | 16.7 M | 16.7 M |
| Contrast Ratio (typ.) | 700:1 | 1000:1 | 1000:1 | 1000:1 | 1000:1 |
| Viewing Angle (H/V) | 150° x 135° | 160° x 160° | 150° x 135° | 160° x 160° | 160° x 160° |
| Display Area (mm) | 304 x 228 | 338 x 270 | 376 x 301 | 338 x 270 | 376 x 301 |
| Tr Response Time (ms) | 2 | 1.3 | 1.3 | 1.3 | 1.3 |
| LCD Panel MTBF (hrs) | 50,000 | 50,000 | 50,000 | 50,000 | 50,000 |
| VGA Signal Input | Analog RGB, 0.7Vp-p | | | | |
| Sync. Type | Separate H/V, Composite, SOG | | | | |
| Resolution | 640 x 400, 70 Hz | - | | | |
| | 720 x 400, 70 Hz | | | | |
| | 640 x 480, 60/ 70/ 72/ 75 Hz | | | | |
| | 800 x 600, 60/ 70/ 72/ 75 Hz | | | | |
| | 1024 x 768, 60/ 70/ 72/ 75 Hz | 1024 x 768, 60/ 70/ 75 Hz | | | |
| | - | 1152 x 864, 60/ 70/ 75 Hz | | | |
| | - | 1280 x 720, 60/ 70/ 75 Hz | | | |
| | - | 1280 x 1024, 60/ 70/ 72/ 75 Hz | | | |
| Plug & Play DDC | | | EDID 1.3 | | |
| Console Port (Combo) | DB-15 connector for VGA / keyboard / mouse (Combo interface) | | DB-15 connector for VGA / keyboard / mouse Support USB servers or Combo KVM switches | | |
| Power Input | Auto-sensing 100 to 240VAC, 50 / 60Hz | | | | |
| Power Consumption | Max. 48 Watt, Standby 5 Watt | | | | |
| Compatibility | Multi-platform - Mix PCs, SUNs, IBMs, HPs & DELLs. | | | | |
| Regulation Approval | FCC, CE | | | | |

Options

| | | | | | |
|------------------|--|--|--|---|--|
| KVM Integration | Matrix & combo KVM with IP console and 2-console selection | | | | |
| Keyboard & mouse | Full size keyboard built-in touch-pad / trackball | | | SUN-compatible keyboard integrated with 3-button touchpad / trackball | |
| Graphic Input | DVI-D, BNC & S-Video input | | | - | |
| DC Power | DC power input with 12V, 24V, 48V selection | | | | |
| Touchscreen | Resistive & capacitive | | | - | |

Environmental

| | | | | | |
|-------------------|----------------------------------|--|--|--|--|
| Operation | 0° to 50°C Degree | | | | |
| Storage | -5° to 60°C Degree | | | | |
| Relative Humidity | 5~90%, non-condensing | | | | |
| Shock | 10G acceleration (11ms duration) | | | | |
| Vibration | 5~500Hz 1G RMS random vibration | | | | |