

## 1U 20" LCD Drawer

### LCD Drawer Benefits

- ▶ 20" LCD in 1U with 1600 x 1200 high resolution
- ▶ Sliding LCD allowing LCD to remain open when the rack door is closed
- ▶ Enhanced aesthetics with new molded front panel and two point lock

### Drawer Features & Options

- 1U rackmount LCD drawer with 20" LCD
- Quad display option
- Touchscreen option
- 12V, 24V and 48V DC Power options
- AV + BNC, Audio and DVI-D options

*New*



### Options



BNC + S-Video



DVI-D



DC Power



Touch Screen



Audio



Quad Display

#### S-Video + BNC



#### Touchscreen - USB



#### DVI-D



#### Touchscreen - Serial



#### DC Power



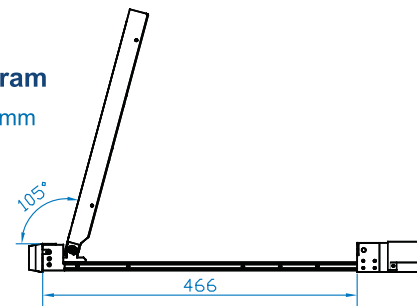
#### Audio



Monitor Grade A 20" industrial TFT LCD panel

### Diagram


Unit : mm



### Dimensions

Model	Product Dimension (W x D x H)	Packing Dimension (W x D x H)	Net Weight	Gross Weight
20 Series	442 x 650 x 44 mm 17.4 x 25.6 x 1.73 inch	581 x 755 x 172 mm 22.9 x 29.7 x 6.8 inch	14 kg / 31 lbs	19 kg / 42 lbs

## 1U 20" LCD Drawer

Item	Description		
LCD Manufacturer			
Diagonal Size	17" TFT	19" TFT	20" TFT
Max. Resolution	1280 x 1024	1280 x 1024	1600 x 1200
Brightness (cd/m <sup>2</sup> )	300	300	300
Color Support	16.7 M	16.7 M	16.7 M
Contrast Ratio (typ.)	1000:1	1000:1	800:1
Viewing Angle (H/V)	160° x 160°	160° x 160°	160° x 160°
Display Area (mm)	338 x 270	376 x 301	408 x 306
Tr Response Time (ms)	1.3	1.3	1
LCD Panel MTBF (hrs)	50,000	50,000	50,000
VGA Signal Input	Analog RGB, 0.7Vp-p		
Sync. Type	Separate H/V, Composite, SOG		
Resolution	720 x 400, 70 Hz		
	640 x 480, 60/ 72/ 75 Hz	640 x 480, 60/ 70/ 72/ 75 Hz	
	800 x 600, 60/ 70/ 72/ 75 Hz		
	1024 x 768, 60/ 70/ 75 Hz		
	1152 x 864, 60/ 70/ 75 Hz		
	1280 x 720, 60/ 70/ 75 Hz	1280 x 720, 60/ 75 Hz	
	1280 x 1024, 60/ 70/ 72/ 75 Hz	1280 x 1024, 60/ 70/ 75 Hz	
	-	1440 x 1050, 60 Hz	
	-	1600 x 1200, 60 Hz	
Plug & Play DDC	EDID 1.3		
Connection	DB-15 connector		
Power Input	Auto-sensing 100 to 240VAC, 50 / 60Hz		
Power Consumption	Max. 48 Watt, Standby 5 Watt		
Compatibility	Multi-platform - Mix PCs, SUNs, IBMs, HPs & DELLs.		
Regulation Approval	FCC, CE		

### Options

DC Power	DC power input with 12V, 24V, 48V selection
----------	---

### Environmental

Operation	0° to 50°C Degree
Storage	-5° to 60°C Degree
Relative Humidity	5~90%, non-condensing
Shock	10G acceleration (11ms duration)
Vibration	5~500Hz 1G RMS random vibration