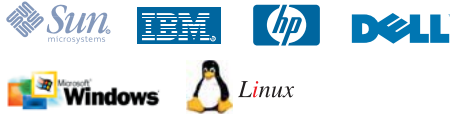


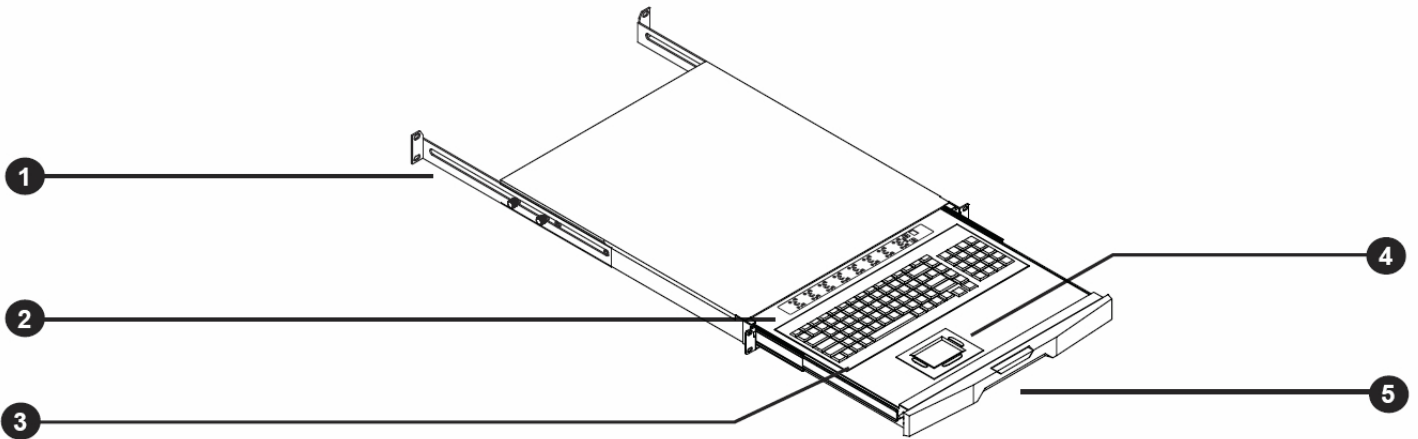
Keyboard Drawer Benefits

- ▶ Enhanced aesthetics with new molded front panel and two point lock
- ▶ Combo interface either PS/2 or USB input
- ▶ Multiple keyboard language selections with touchpad or trackball



KVM Options

- Multi-user Matrix Cat6 KVM with either 16 or 32 ports in 1U
- Cost efficient Combo KVM integration
- Mix PS/2 & USB with multi-platform switch capability
- Secure remote user access across the world wide web



- ① Adjustable rear mounting L-bracket
- ② Membrane switch
- ③ Keyboard interchangeable module kit
- ④ Mouse interchangeable module kit
- ⑤ Carry handle to release the 2-pt lock

Dimensions

Model	Product Dimension (W x D x H)	Packing Dimension (W x D x H)	Net Weight	Gross Weight
R - Series	442 x 550 x 44 mm 17.4 x 21.6 x 1.73 inch	581 x 705 x 175 mm 22.9 x 27.8 x 6.9 inch	8 kg / 18 lbs	12 kg / 26 lbs

Keyboard Selection

Supporting layouts



keyboard with touchpad



keyboard with trackball



Compact keyboard with trackball

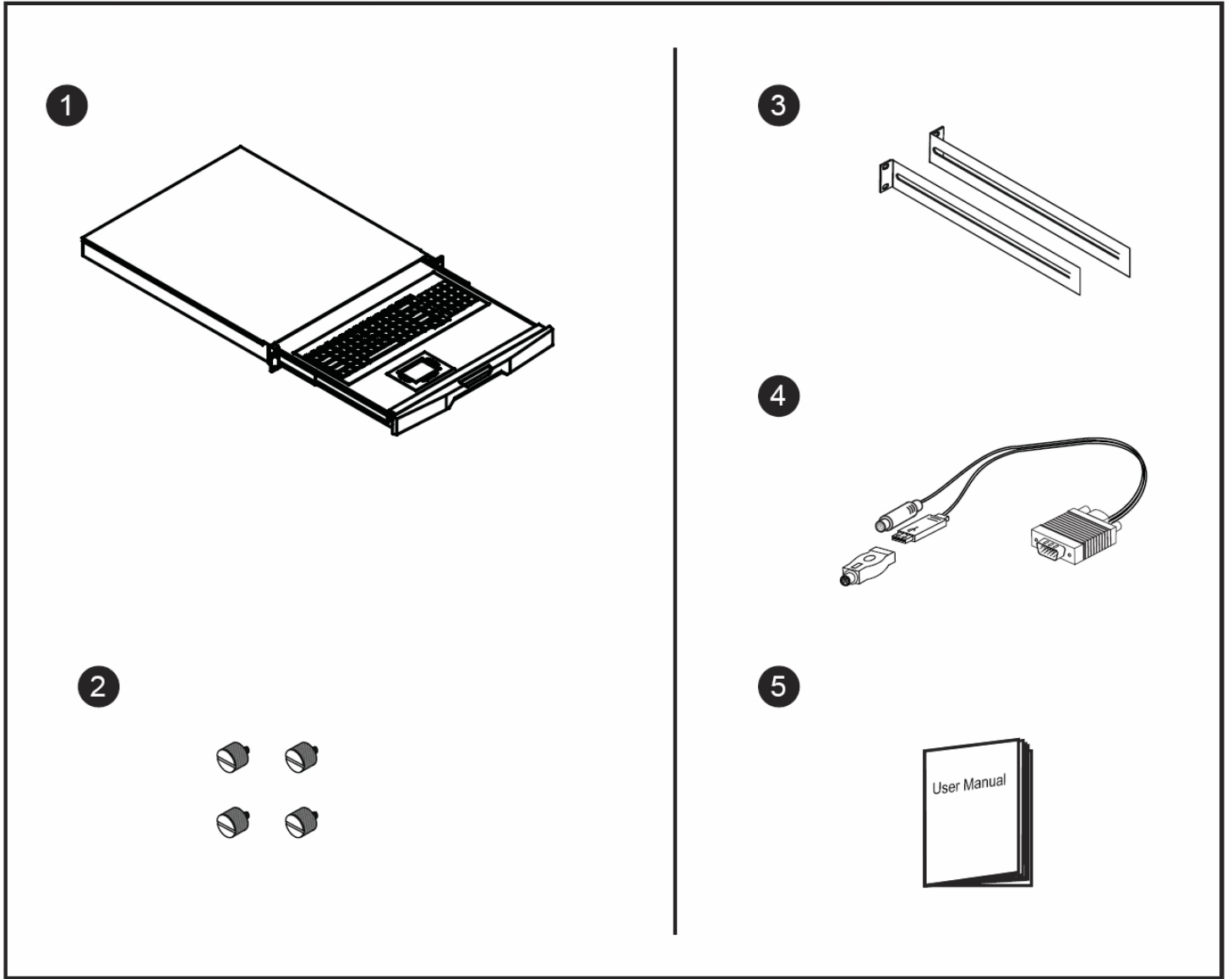


Compact keyboard with touchpad mouse

US layout only

US layout only





- ① Keyboard drawer x 1 pc
- ② Fasteners for rear L-bracket x 4 pcs
- ③ 330mm rear mounting L-bracket x 1 pair
mounting depth-adjustable from 210 to 800mm
- ④ Combo keyboard cable x 1 pc
- ⑤ User manual x 1 pc