

## 1U Keyboard Drawer

### Keyboard Drawer Benefits

- ▶ Short depth design of 400mm (15.7")
- ▶ Light weight & low shipping cost
- ▶ Lockable drawer to secure keyboard & mouse access



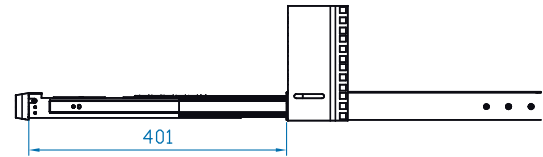
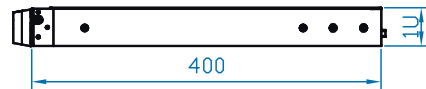
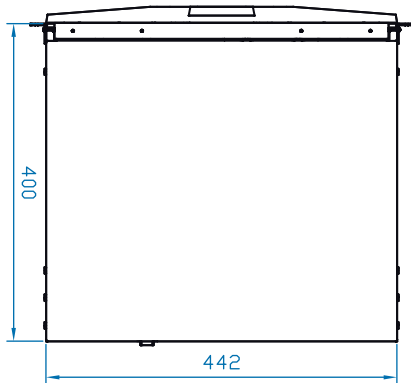
### Drawer Features

- Combo interface either PS/2 or USB input to the keyboard drawer
- Multiple keyboard language selections with either touchpad or trackball
- Slide rails with fixed positions to prevent drawer movement when typing
- Enhanced aesthetics with new molded front panel and two point lock



### Diagram

Unit : mm



### Dimensions

Model	Product Dimension (W x D x H)	Packing Dimension (W x D x H)	Net Weight	Gross Weight
R Series	442 x 400 x 44 mm 17.4 x 15.7 x 1.73 inch	500 x 582 x 100 mm 19.7 x 22.9 x 3.9 inch	6 kg / 13 lbs	8 kg / 18 lbs

### Keyboard Selection

Supporting layouts



keyboard with touchpad



keyboard with trackball



US layout only

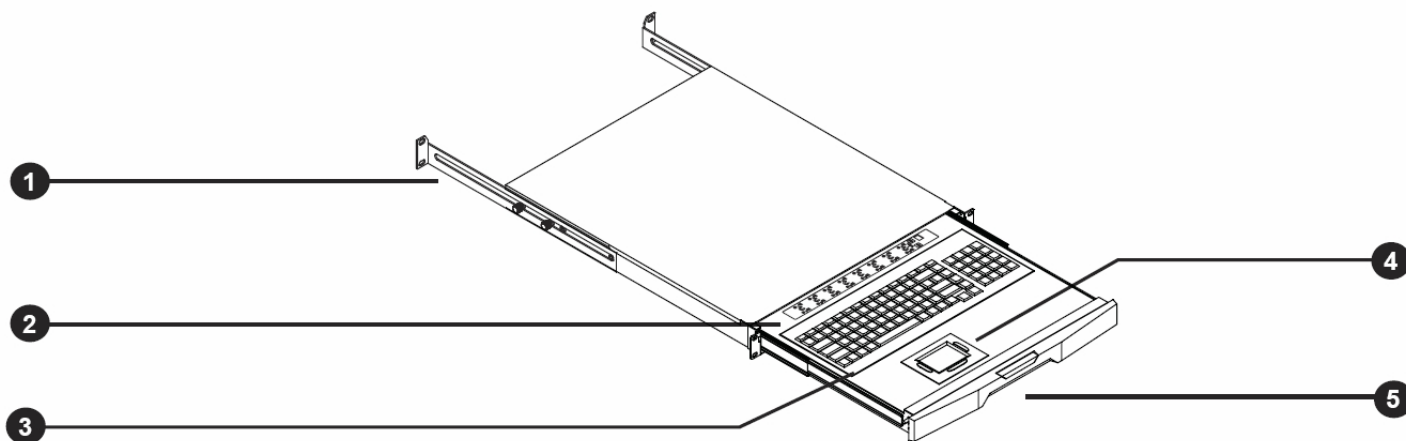
Compact keyboard with trackball



US layout only

Compact keyboard with touchpad mouse





① Adjustable rear mounting L-bracket

② Membrane switch

③ Keyboard interchangeable module kit

④ Mouse interchangeable module kit

⑤ Carry handle to release the 2-pt lock