

## LCD Display Benefits

- ▶ 19" widescreen LCD with high resolution 1440 x 900
- ▶ Ideal for CCTV security & industrial control

## Display Features & Options

- 7U LCD display with 19" widescreen LCD
- Quad display option
- Touchscreen option
- 12V, 24V and 48V DC power options
- AV + BNC, Audio and DVI-D options
- NEMA 4 and IP65 options for front protection

New



BNC + S-Video	DVI-D	DC Power	Touch Screen	Audio	Quad Display	NEMA 4

S-Video + BNC



Touchscreen - USB



DVI-D



Touchscreen - Serial



DC Power

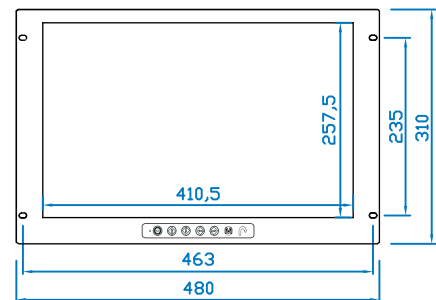


Audio



Monitor Grade A Wide 19" industrial TFT LCD panel


Diagram  
Unit : mm



## Dimensions

Model	Product Dimension (W x D x H)	Packing Dimension (W x D x H)	Net Weight	Gross Weight
W19 Series	480 x 57.5 x 310 mm 18.9 x 2.3 x 12.2 inch	565 x 495 x 156 mm 22.2 x 19.5 x 6.1 inch	8 kg / 18 lbs	10 kg / 22 lbs

The rackmount width will be increased under RP widescreen series.  
With Quad Display option, 1U height will be increased on the casing.

Item	Description	
LCD Manufacturer		
Diagonal Size	Wide 19" TFT	Wide 22" TFT
Max. Resolution	1440 x 990	1680 x 1050
Brightness (cd/m <sup>2</sup> )	300	300
Color Support	16.7 M	16.7 M
Contrast Ratio (typ.)	1000:1	1000:1
Viewing Angle (H/V)	160° x 160°	170° x 160°
Display Area (mm)	408 x 255	474 x 296
Tr Response Time (ms)	1.3	3.6
LCD Panel MTBF (hrs)	50,000	50,000
VGA Signal Input	Analog RGB, 0.7Vp-p	
Sync. Type	Separate H/V, Composite, SOG	
Resolution	720 x 400, 70 Hz	
	640 x 480, 60/ 72/ 75 Hz	640 x 480, 60/ 70/ 72/ 75 Hz
	800 x 600, 60/ 70/ 72/ 75 Hz	
	1024 x 768, 60/ 70/ 75 Hz	
	1152 x 864, 60/ 70/ 75 Hz	
	1280 x 720, 60/ 70/ 75 Hz	1280 x 720, 60/ 75 Hz
	1280 x 1024, 60/ 70/ 75 Hz	1280 x 1024, 60/ 75 Hz
	1440 x 900, 60 Hz	1680 x 1050, 60 Hz
Plug & Play DDC	EDID 1.3	
Connector	DB-15 connector	
Power Input	Auto-sensing 100 to 240VAC, 50 / 60Hz	
Power Consumption	Max. 48 Watt, Standby 5 Watt	
Compatibility	Multi-platform - Mix PCs, SUNs, IBMs, HPs & DELLs.	

### Options

Graphic Input	DVI-D, BNC, S-Video & Quad display input
DC Power	DC power input with 12V, 24V, 48V selection
Touchscreen	Resistive & capacitive
AU	35mm audio plug
NEMA 4 / IP65	4mm thickness of protective glass

### Environmental

Operation	0° to 50°C Degree
Storage	-5° to 60°C Degree
Relative Humidity	5~90%, non-condensing
Shock	10G acceleration (11ms duration)
Vibration	5~500Hz 1G RMS random vibration