

User Manual Rack Mount Industrial Display Drawer



RMD-151-A Series

15, 17, 17.3, 19 inch

Options :

- Composite Video input
- HDMI / Display port input
- Touchscreen / DC power
- 3G / HD / SD-SDI broadcasting grade input
- AR Hardness glass

REACH FC CE 

Legal Information

Information in this document has been carefully checked for accuracy; however, no guarantee is given to the correctness of the contents. The information in this document is subject to change without notice. We are not liable for any injury or loss that results from the use of this equipment.

Safety Instructions

Please read all of these instructions carefully before you use the device. Save this manual for future reference.

- Unplug equipment before cleaning. Don't use liquid or spray detergent; use a moist cloth.
- Keep equipment away from excessive humidity and heat. Preferably, keep it in an air-conditioned environment with temperatures not exceeding 40° Celsius (104° Fahrenheit).
- When installing, place the equipment on a sturdy, level surface to prevent it from accidentally falling and causing damage to other equipment or injury to persons nearby.
- When the equipment is in an open position, do not cover, block or in any way obstruct the gap between it and the power supply. Proper air convection is necessary to keep it from overheating.
- Arrange the equipment's power cord in such a way that others won't trip or fall over it.
- If you are using a power cord that didn't ship with the equipment, ensure that it is rated for the voltage and current labeled on the equipment's electrical ratings label. The voltage rating on the cord should be higher than the one listed on the equipment's ratings label.
- Observe all precautions and warnings attached to the equipment.
- If you don't intend on using the equipment for a long time, disconnect it from the power outlet to prevent being damaged by transient over-voltage.
- Keep all liquids away from the equipment to minimize the risk of accidental spillage. Liquid spilled on to the power supply or on other hardware may cause damage, fire or electrical shock.
- Only qualified service personnel should open the chassis. Opening it yourself could damage the equipment and invalidate its warranty.
- If any part of the equipment becomes damaged or stops functioning, have it checked by qualified service personnel.

What the warranty does not cover

- Any product, on which the serial number has been defaced, modified or removed.
- Damage, deterioration or malfunction resulting from:
 - Accident, misuse, neglect, fire, water, lightning, or other acts of nature, unauthorized product modification, or failure to follow instructions supplied with the product.
 - Repair or attempted repair by anyone not authorized by us.
 - Any damage of the product due to shipment.
 - Removal or installation of the product.
 - Causes external to the product, such as electric power fluctuation or failure.
 - Use of supplies or parts not meeting our specifications.
 - Normal wear and tear.
 - Any other causes which does not relate to a product defect.
- Removal, installation, and set-up service charges.

Regulatory Notices Federal Communications Commission (FCC)

This equipment has been tested and found to comply with the limits for a Class B digital device, pursuant to Part 15 of the FCC rules. These limits are designed to provide reasonable protection against harmful interference in a residential installation.

Any changes or modifications made to this equipment may void the user's authority to operate this equipment. This equipment generates, uses, and can radiate radio frequency energy and, if not installed and used in accordance with the instructions, may cause harmful interference to radio communications.

However, there is no guarantee that interference will not occur in a particular installation. If this equipment does cause harmful interference to radio or television reception, which can be determined by turning the equipment off and on, the user is encouraged to try to correct the interference by one or more of the following measures:

- Re-position or relocate the receiving antenna.
- Increase the separation between the equipment and receiver.
- Connect the equipment into an outlet on a circuit different from that to which the receiver is connected.

Contents

< Part. 1 > RMD

1.1	Package Content	P.1
1.2	Structure Diagram & Dimension	P.1 - 2
1.3	Installation	P.6

< Part. 2 > Specifications / OSD

2.1	Product Specifications	P.7 - 8
2.2	On-screen Display Operation (OSD)	P.9

< Part. 3 > Options

3.1	Touchscreen : Resistive, Capacitive	P.10
3.2	DC power	P.10

Before Installation

- It is very important to mount the equipment in a suitable cabinet or on a stable surface.
- Make sure the place has a good ventilation, is out of direct sunlight, away from sources of excessive dust, dirt, heat, water, moisture and vibration.

Unpacking

The equipment comes with the standard parts shown in package content. Check and make sure they are included and in good condition. If anything is missing, or damaged, contact the supplier immediately.

How To Clean Your LCD Monitor



Caution :

- To avoid the risk of electric shock, make sure your hands are dry before unplugging your monitor from or plugging your monitor into an electrical outlet.
- When you clean your monitor, do not press down on the LCD screen. Pressing down on the screen can scratch or damage your display. Pressure damage is not covered under warranty.
- Use only cleansers made specifically for cleaning monitors and monitor screens. Cleansers not made to clean monitors and monitor screens can scratch the LCD display or strip off the finish.
- Do not spray any kind of liquid directly onto the screen or case of your monitor. Spraying liquids directly onto the screen or case can cause damage which is not covered under warranty.
- Do not use paper towels or abrasive pads to clean your monitor. Using an abrasive pad or any wood based paper product such as paper towels can scratch your LCD screen.

Cleaning Your Monitor

To clean your LCD safely, please follow these steps :

- ① Disconnect the power cord.
- ② Gently wipe the surface using a clean, dry microfiber cloth. Use as little pressure as possible.

Cleaning Tough Marks and Smudges

To remove tough marks and smudges, please follow these steps :

- ① Disconnect the power cord.
- ② Spray a small amount of non-abrasive cleanser on a microfiber cloth.



Caution : Do not spray or apply any liquids directly onto the monitor. Always apply the solution to your microfiber cloth first, not directly on the parts you are cleaning.

- ③ Gently wipe the surface. Use as little pressure as possible.
- ④ Wait until your monitor is completely dry before plugging it in and powering it up.

< Part 1 >

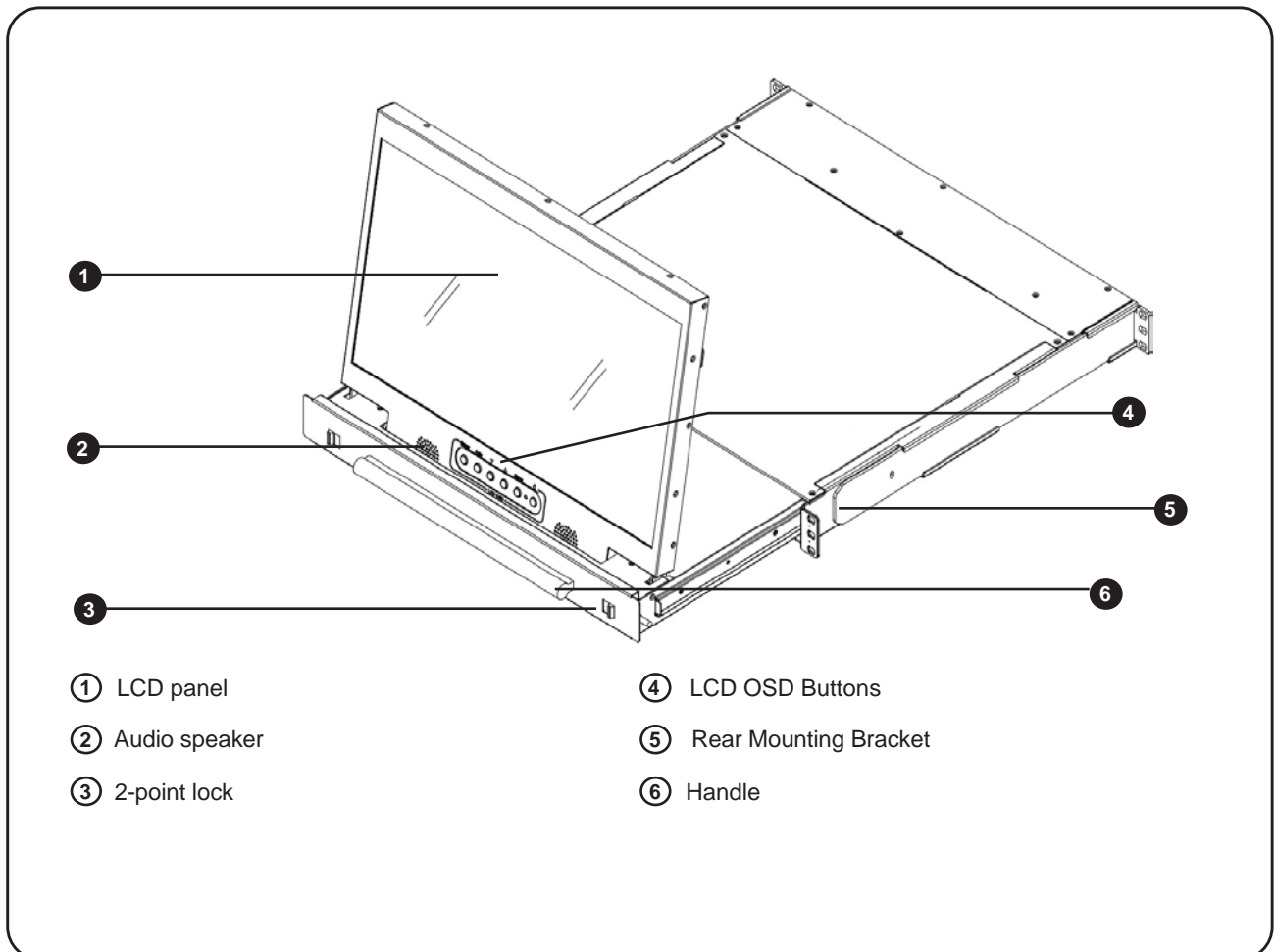
< 1.1 > Package Content



RMD unit X 1

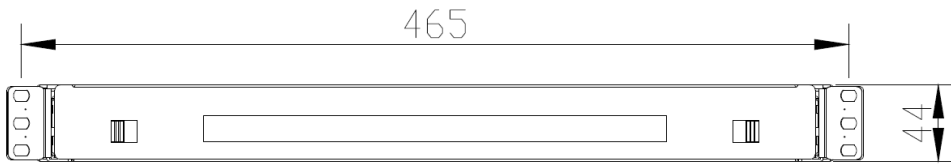
- 1.8 M VGA cable X 1
- 1.8 M DVI cable X 1
- 1.8 M Audio cable X 1
- Power cord X 1

< 1.2 > Structure Diagram



< 1.2 > Dimension-15 inch

Front View

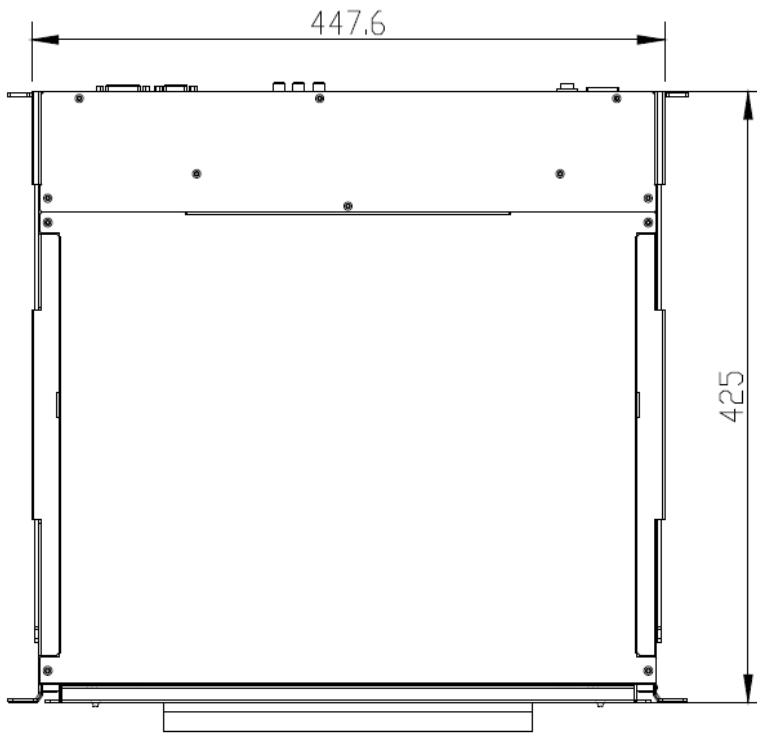


Side View

UNIT : mm
1mm = 0.03937 inch



Top View

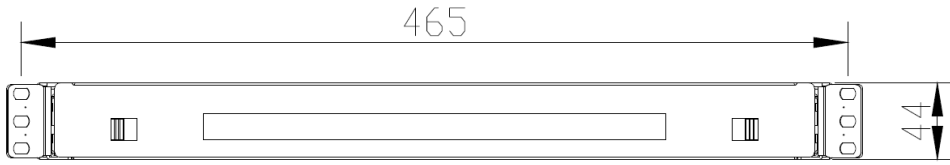


Model	Product Dimension (W x D x H)	Packing Dimension (W x D x H)	Net Weight	Gross Weight
RMD-15151	448 x 425 x 44 { {	610 x 700 x 170 { {	12\ *	17

! The weight is only for the pure models. It varies with accessories & options such as SDI, HDMI, audio, touchscreen & DC power.

< 1.2 > Dimension-17 inch

Front View

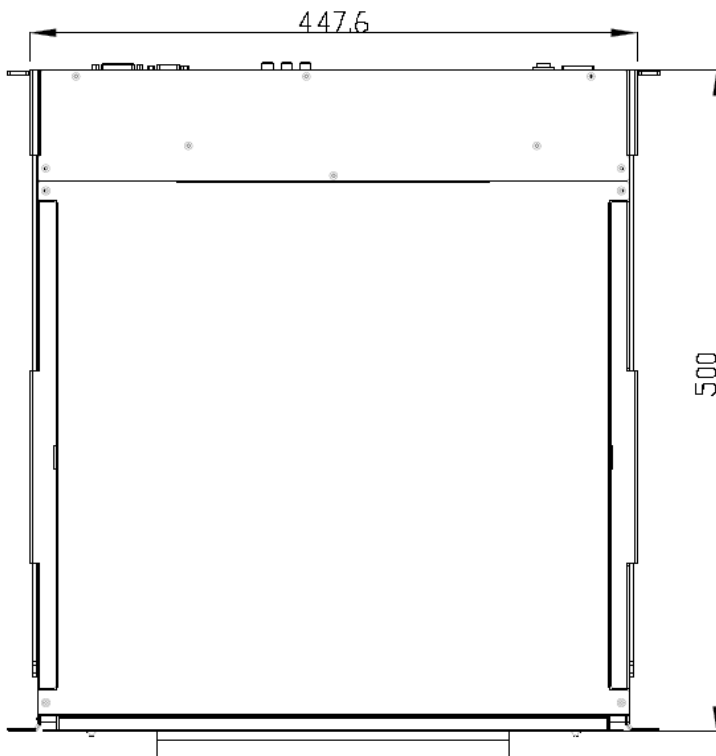


Side View


UNIT : mm
1mm = 0.03937 inch



Top View

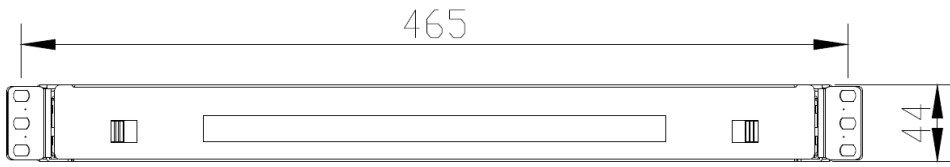


Model	Product Dimension (W x D x H)	Packing Dimension (W x D x H)	Net Weight	Gross Weight
RMD-17A	448 x 500 x 44 mm	790 x 580 x 190 mm	15.5 kg	19 kg

 The weight is only for the pure models. It varies with accessories & options such as SDI, HDMI, audio, touchscreen & DC power.

< 1.2 > Dimension-17.3 inch

Front View

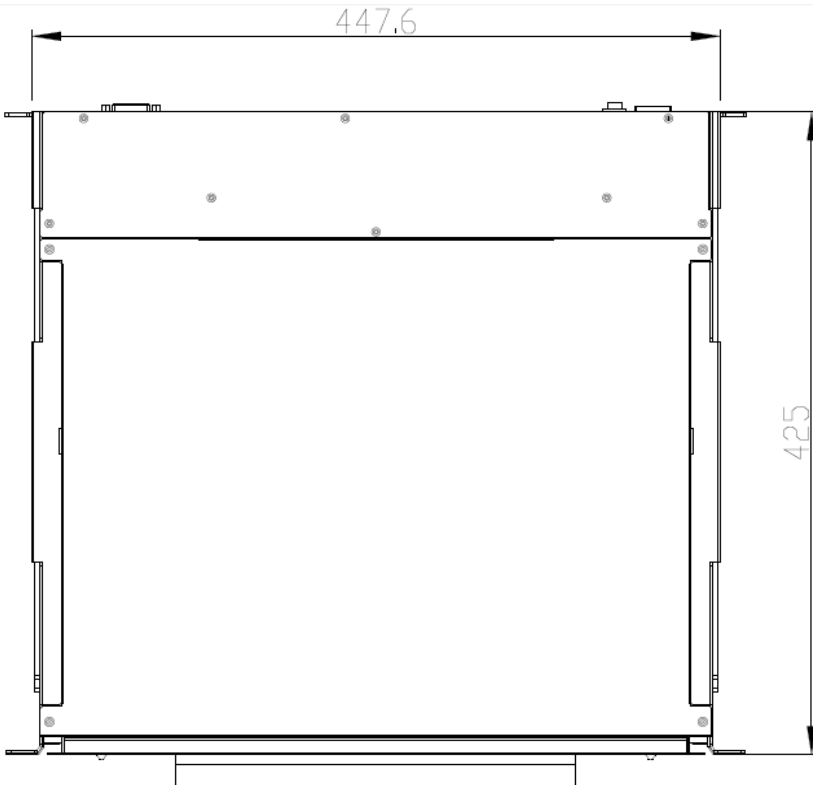


Side View


UNIT : mm
1mm = 0.03937 inch



Top View

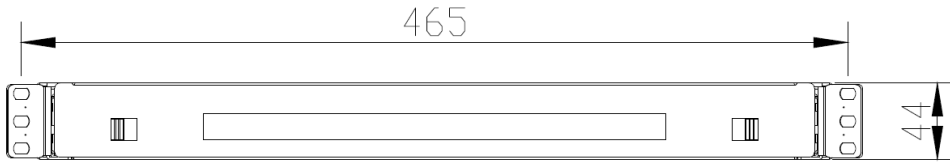


Model	Product Dimension (W x D x H)	Packing Dimension (W x D x H)	Net Weight	Gross Weight
RMD-F17A	448 x 425 x 44 mm	610 x 700 x 170 mm	12.5 kg	17 kg

 The weight is only for the pure models. It varies with accessories & options such as SDI, HDMI, audio, touchscreen & DC power.

< 1.2 > Dimension-19 inch

Front View

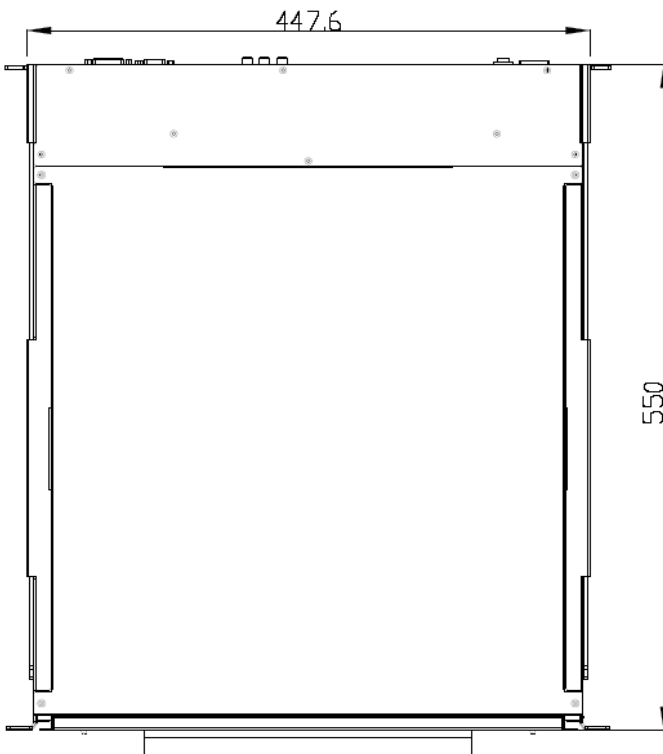


Side View


UNIT : mm
1mm = 0.03937 inch



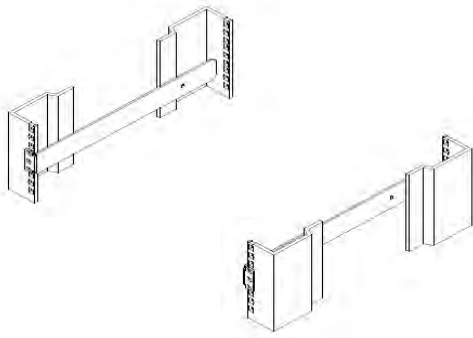
Top View



Model	Product Dimension (W x D x H)	Packing Dimension (W x D x H)	Net Weight	Gross Weight
RMD-19A	448 x 550 x 44 mm	790 x 580 x 190 mm	17.5 kg	21 kg

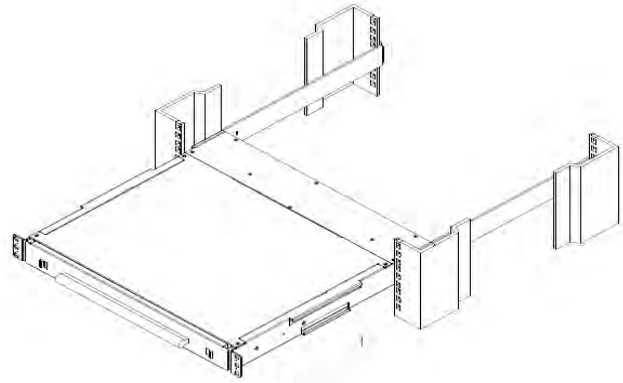
 The weight is only for the pure models. It varies with accessories & options such as SDI, HDMI, audio, touchscreen & DC power.

< 1.3 > Installation



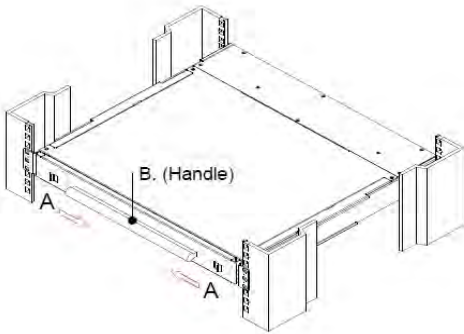
Step 1 Back View

- Rear mounting bracket, screw M6 *4pcs



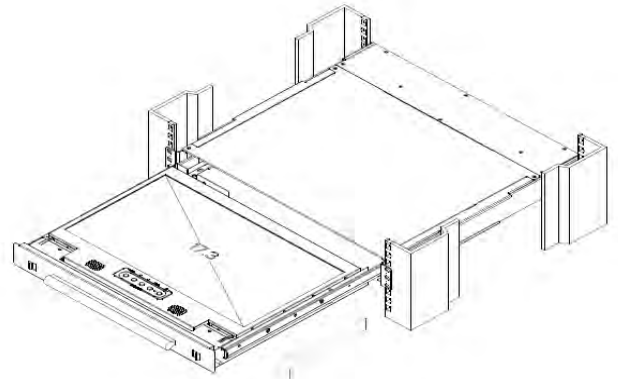
Step 2 Front View

- Insert the left and right rear mounting brackets into the display drawer, screw M6 * 4pcs



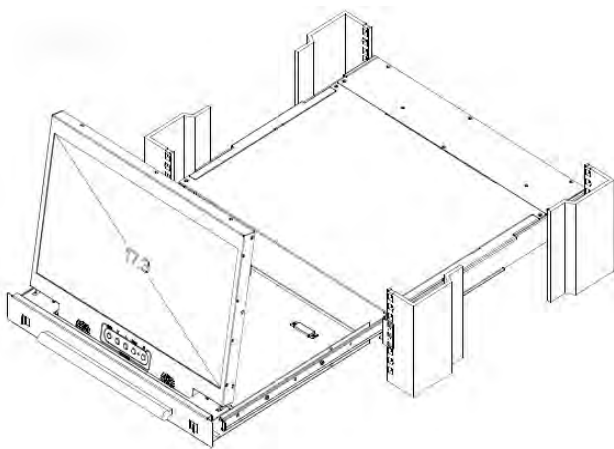
Step 3

- Unlock Buttons A to the inside direction
- Pull the LCD out by holding handle B



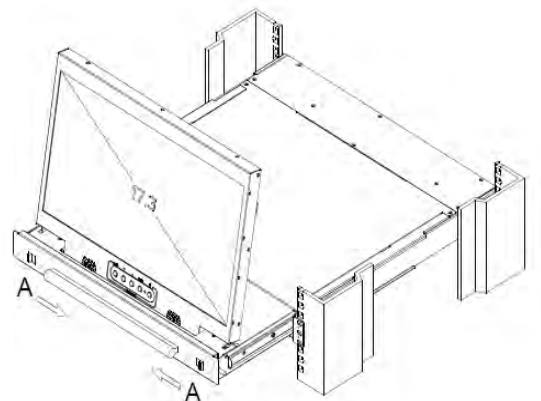
Step 4

- Fully pull out the LCD



Step 5

- Lift up the LCD



Step 6

- Unlock Buttons A to release rail locker
- Push-in to the suitable position

< Part 2 >

< 2.1 > Product Specifications

LCD Panel	Panel Size (diagonal)	15"	17"
	Display pixel (dots x lines)	1024 x 768	1280 x 1024
	Brightness (typ.)	450	250
	Contrast Ratio (typ.)	700:1	1000:1
	Color	16.7M	16.7M
	Viewing Angle (H/V)	160/140	170/178
	Response Time (ms)	8	6
	Backlight Type	LED	LED
	MTBF (hrs)	50,000	50,000

LCD Panel	Panel Size (diagonal)	17.3"	19"
	Display pixel (dots x lines)	1920 x1080(up to 1920 x1200)	1280 x 1024
	Brightness (typ.)	300	350
	Contrast Ratio (typ.)	400:1	1000:1
	Color	262K	16.7M
	Viewing Angle (H/V)	140/120	170/160
	Response Time (ms)	16	5
	Backlight Type	LED	LED
	MTBF (hrs)	10,000	50,000

Video Connectivity	Digital	HDMI	HDMI 1.1, CEA-861-D
		DVI	DVI-D, TMDS single link
	Analog	VGA	Analog 0.7Vp-p
	Plug & Play	DVI / VGA	VESA EDID structure 1.3
	Synchronization	VGA	Separate, Composite & SOG

Audio Connectivity	Audio Input	Connector	3.5mm stereo jack
		Impedance / Power level	30k Ω / 750mV
	Speaker Output	Power	2 x 2W

Power	Power Supply	Range	Auto-sensing 100 to 240VAC, 50 / 60Hz
	DC Power	Range	9~36V DC

Regulatory	Safety	FCC & CE certified	
	Environmental	RoHS2 & REACH compliant	

Environmental Conditions	Operating	Temperature	0 to 50°C degree
		Humidity	5~95%, non-condensing
	Storage	Temperature	-20 to 60°C degree
		Humidity	5~95%, non-condensing
		Shock	15G/Peak (11ms duration)
		Vibration	5~500Hz 1G RMS random

Applicable Format	DVI-D / VGA Input	PC Signal	1920 x 1080 x 60Hz
			1360 x 768 x 60Hz
			1280 x 1024 x 60 / 75Hz
			1280 x 960 x 60Hz
			1280 x 768 x 60 / 75Hz
			1152 x 864 x 75Hz
			1024 x 768 x 60 / 70 / 75Hz
			848 x 480 x 60Hz
			800 x 600 x 60 / 72 / 75Hz
			720 x 400 x 70Hz
			640 x 480 x 60 / 72 / 75Hz
			640 x 400 x 70Hz
			640 x 350 x 70Hz

OSD Control buttons

LCD OSD can establish and setup LCD display. Setup instructions of four buttons are as follows:

Button	Functions
Power	Turn on or off the LCD Display
Menu	Activate OSD menu, select a menu and press MENU key to confirm the selection and enter the submenu.
▲	Press this key to increase setting or scroll up the menu bar
▼	Press this key to Decrease setting or scroll down the menu bar
Auto	press the auto key to adjust screen display position
Source	press to select video source

< Part 3 >

< 3.1 > Options : Touchscreen



USB Touchscreen Specification

Model	Resistive	Capacitive
Technology	5-Wire Resistive	Capacitive
Touch Point	Single	Single
Method	Stylus or Finger	Finger
Activation Force	≤ 50g / Stylus=R0.8	≤ 50g
Durability	10 million touches	300 million touches
Response Time	15 ms	20 ms
Optical Transmittance	80% ± 3%	87% ±2%
Surface Hardness	3H	9H
Haze	8% ± 3%	7%
Glass	3.2 ±0.2 mm	2.8 mm ±10%
Connector	USB Type A	
Compatibility	Windows 7 / XP / Vista, Linux	

- USB touchscreen package includes 2 x 1.8 M USB cable
- For detailed information, please refer to the attached CD disc
- As the touchscreen unit is not made of toughened glass, please handle it carefully

< 3.2 > Options : DC power



Model	12/24V
Input rating	
Input voltage:	12/24-Volt
Input range:	9-36 V
Output rating	
Output voltage:	12-Volt
Output current:	8 A
Efficiency	80%