

LCD Drawer User Manual

Part# RM-F117A-SD (16"-short depth)



This manual, covering various aspects of the equipment such as installation, setup and cascade, will help you make full use of this LCD KVM Drawer. Please read this manual carefully and install and operate the equipment according to the manual to avoid damage to this product its accessories.

Product package includes following items:

- 1 * 17.3 inch LCD KVM Drawer;
- 1 * AC Power Cord
- 1 * Rack installation bracket (one pair)
- 1 * USER'S manual (CD)
- 1 * 1.8 Meter VGA cable
- 1 * 1.8 Meter DVI cable
- 1 * 1.8 Meter USB A Type cable
- 1 * 1.8 Meter Audio cable

Please check items above. If any item is missing or damaged, please contact your dealer promptly.

Table of Contents

1	Introduction	-4-
	1.1 Overview	-4-
	1.2 Functions & Features	-4-
	1.3 Hardware Requirement	-4-
	1.3.1 Host Requirement	-4-
	1.3.2 Cables	-4-
	1.4 Product Specifications	-5-
	1.5 LCD Specifications	-5-
	1.6 Front View	-6-
	1.7 Rear View	-7-
2	Installation	-8-
	2.1 Rack Installation	-8-
	2.2 Standard Installation	-9-
	2.4 LCD OSD Menu Setup	-11-
3	Certificates	-12-

1 Introduction

1.1 Overview

RM-F117A-SD Rackmount KVM integrates keyboard, LCD display and touch pad in a 1U console drawer and provides a convenient space-saving solution for KVM switch technology. The cover is an LCD display, while the base is keyboard and touchpad.

RM-F117A-SD KVM console is a control device integrating 17.3" LCD, 104 keys keyboard and touchpad mouse. You can access multiple hosts using the LCD console while saving money and space.

LCD KVM console is the best choice to save time and effort. Since all hosts can be controlled from a single main control terminal, using the LCD KVM Console:(1)avoids the cost of keyboard, mouse and monitor of each host; (2) saves work space; (3) saves power; (4) saves the trouble of moving from one computer to another.

* For Mac and Sun hosts, USB cable must be used for connection.

1.2 Function & Features

RM-F117A-SD KVM display is an integrated drawer solution utilizing 1U height to facilitate rack installation. Supported resolution up to 1920 x 1200 , 75Hz. It meets the 1U height of rack specifications and can be installed into 19 inch rack cabinets. No need to install additional software or hardware.

1.3 Hardware Requirement

1.3.1 Hosts Requirement:

- (1) DVI, VGA graphic card

Note: the max. resolution of the integrated LCD display is 1920x1200. Make sure the resolution of any connected computer does not exceed this resolution.

- (2) USB port for keyboard and mouse.
- (3) USB 2.0 Hub for peripheral USB device

1.3.2 Cables

- (1) DB-15 VGA cable male to male
- (2) USB A Type Cable
- (3) DVI-D Cable male to male
- (4) Audio Cable

1.4 Product Specifications

Model		RM-F117A-SD
Brightness		300cd/m2
Contrast		650:1
Angle of visibility		140°(H),120°(V)
Color display		262K
Keyboard		104 keys
Mouse		touch pad mouse
Local Control Terminal	Keyboard/Mouse	USB 2.0
	DVI-D	24 pin DVI-D female connector
	VGA	HD-15 female connector
	USB 2.0	For USB peripheral device
Video resolution		1920 x 1200 @75Hz
Power supply		100-240V AC 50/60Hz via IEC Type power cord
Housing		Metal housing
Weight		14Kg
Dimension(W x H x D)		443 x 42 x 406 (mm)

AUTO LOCK

Slides include Auto Lock
Out for typing

VGA, DVI, USB

VGA, DVI, USB, and
Audio cables included

SPEAKERS

Dual Stereo Speakers,
3.5mm cable included

SAFE TRANSPORT

Mechanical Latches for
safe transport

RESOLUTION

1920 X 1200 Resolution /
Supports 1080p

CHASSIS

16" Chassis Depth, 16"
to 30" Mounting Range

SWITCH

Micro switch for Auto
ON /OFF

OSD MENU



USB PORTS

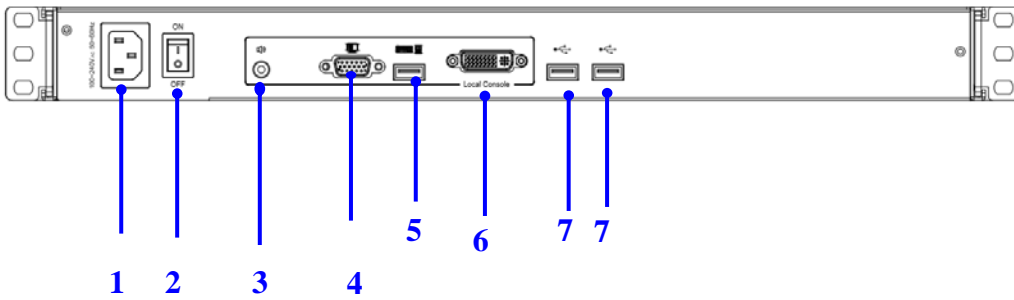
USB Accessory Ports
1 on front, 2 on back

104 KEY

104 Key Notebook
Keyboard



1.7 Rear View



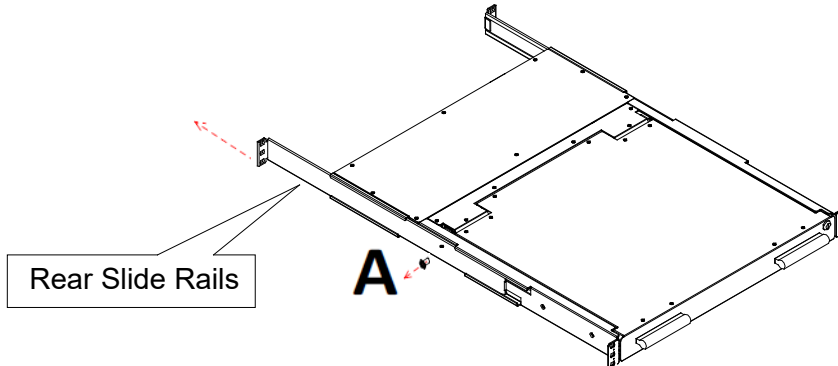
No	Component	Function Description
1	AC Power port	Standard IEC Type AC Inlet
2	Power Switch	Rocker switch, turn on/off equipment main power.
3	Audio port	For audio function
4	VGA port	Connect to server or KVM.
5	USB port	Connect to server or KVM.
6	DVI port	Connect to server or KVM.
7	USB 2.0	For USB peripheral device

2 One Person Installation Instructions

2.1 Rack Installation

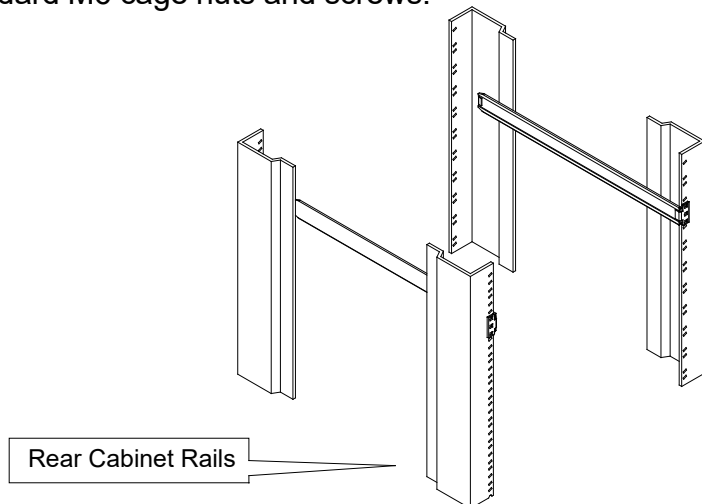
Step 1

Loosen screw **A** on both sides to slide out and remove the two rear slide rails.



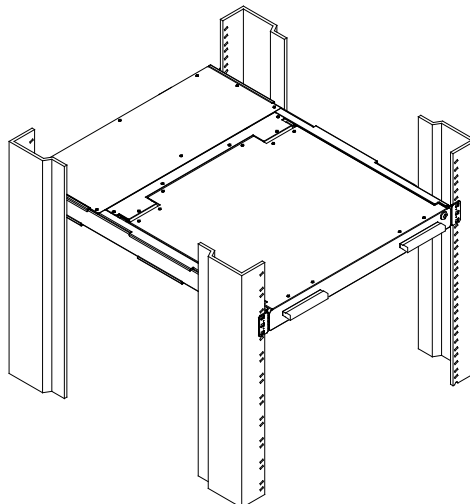
Step 2

Attach the two rear slide rails to the rear vertical mounting rails of the rack cabinet using standard M6 cage nuts and screws.



Step 3

Position the LCD console drawer so the two rear slide rails will slide into the main body of the LCD console drawer. Attach the front mounting ears of the LCD drawer to the front vertical mounting rails of the rack rails using standard M6 cage nuts and screws.



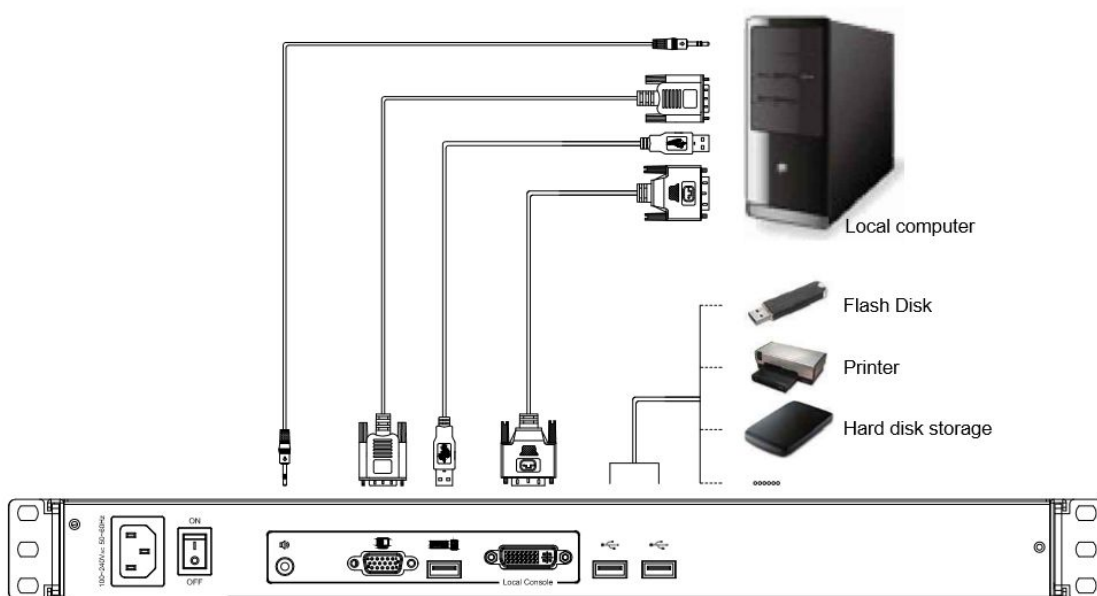
2.2 Standard Installation

Please follow the installation drawing and instructions below for standard installation:

- * Please turn off power of equipment being connected
- * Please provide grounding for any applicable equipment

Once the standard installation is completed- Step 1 - Turn LCD console power ON.

Step 2 - Turn power on connected server.



RM-F117A-SD

2.4 LCD OSD Menu Setup

OSD Control buttons

LCD OSD can establish and setup LCD display. Setup instructions of four buttons are as follows:

Button	Functions
POWER	Turn the LCD Display ON / OFF
MENU	Activate OSD menu, select a menu function and press MENU key to confirm the selection and enter the submenu.
▲	Press this key to Increase setting or scroll up the menu bar
▼	Press this key to Decrease setting or scroll down the menu bar
AUTO	Press the auto key to adjust screen display position

OSD Control Operation

Main Menu



3 Certificates

FCC

This product has been tested and is proved to meet requirements of Grade B electronic devices and specifications of Section 15 of FCC certification. Please observe following two conditions in operation that:

- (1) The equipment will not generate any harmful interruption.
- (2) If the equipment is interrupted, it may cause unnecessary operations.

CE

This equipment complies with regulations of EN55022:CLASS B.

RoHS

The whole package including products, packaging materials and documents meet RoHS equipment requirements.