

User Manual **Rack Mount Display Monitor**



RMP-161-F17A

6U 17.3 inch Rack Mount Display Monitor

Options :

- AV, S-video input
- Touchscreen



Contents

< Part. 1 > RMP-161-F17A

- | | | |
|-----|-------------------------------|---------|
| 1.1 | Package Content | P.1 |
| 1.2 | Structure Diagram & Dimension | P.1 - 2 |
| 1.3 | Installation | |

< Part. 2 > Specifications / OSD

- | | | |
|-----|-------------------------------------|---------|
| 2.1 | Product Specifications | P.4 - 5 |
| 2.2 | On-screen Display Operation (OSD) | P.6 |

< Part. 3 > Options

- | | | |
|-----|-------------|-----|
| 3.1 | Touchscreen | P.7 |
|-----|-------------|-----|

Before Installation

- It is very important to mount the equipment in a suitable cabinet or on a stable surface.
- Make sure the place has a good ventilation, is out of direct sunlight, away from sources of excessive dust, dirt, heat, water, moisture and vibration.

Unpacking

The equipment comes with the standard parts shown in package content. Check and make sure they are included and in good condition. If anything is missing, or damaged, contact the supplier immediately.

How To Clean Your LCD Monitor



Caution :

- To avoid the risk of electric shock, make sure your hands are dry before unplugging your monitor from or plugging your monitor into an electrical outlet.
- When you clean your monitor, do not press down on the LCD screen. Pressing down on the screen can scratch or damage your display. Pressure damage is not covered under warranty.
- Use only cleansers made specifically for cleaning monitors and monitor screens. Cleansers not made to clean monitors and monitor screens can scratch the LCD display or strip off the finish.
- Do not spray any kind of liquid directly onto the screen or case of your monitor. Spraying liquids directly onto the screen or case can cause damage which is not covered under warranty.
- Do not use paper towels or abrasive pads to clean your monitor. Using an abrasive pad or any wood based paper product such as paper towels can scratch your LCD screen.

Cleaning Your Monitor

To clean your LCD safely, please follow these steps :

- ① Disconnect the power cord.
- ② Gently wipe the surface using a clean, dry microfiber cloth. Use as little pressure as possible.

Cleaning Tough Marks and Smudges

To remove tough marks and smudges, please follow these steps :

- ① Disconnect the power cord.
- ② Spray a small amount of non-abrasive cleanser on a microfiber cloth.



Caution : Do not spray or apply any liquids directly onto the monitor. Always apply the solution to your microfiber cloth first, not directly on the parts you are cleaning.

- ③ Gently wipe the surface. Use as little pressure as possible.
- ④ Wait until your monitor is completely dry before plugging it in and powering it up.

< Part 1 >

< 1.1 > Package Content

RMP-161-F17A

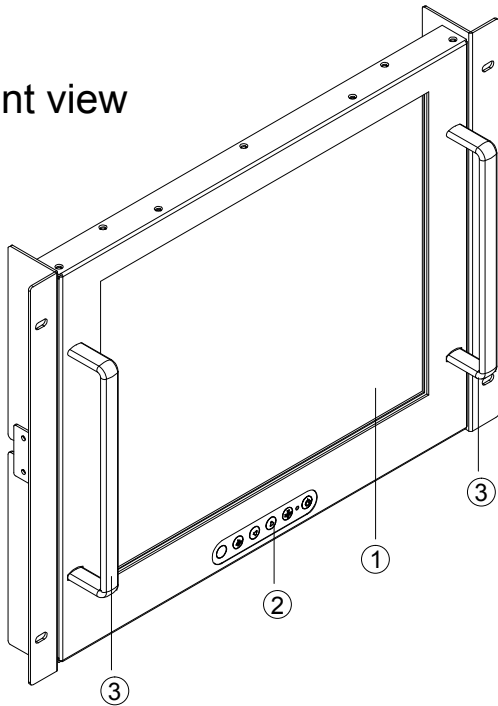


RMB-17W unit X 1

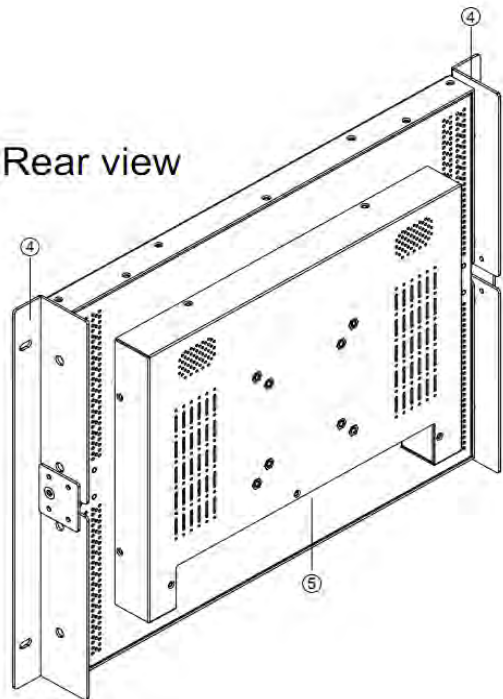
- 1.8 M VGA cable X 1
- 1.8 M DVI cable X 1
- 1.8 M Audio cable X 1
- Power cord X 1

< 1.2 > Structure Diagram

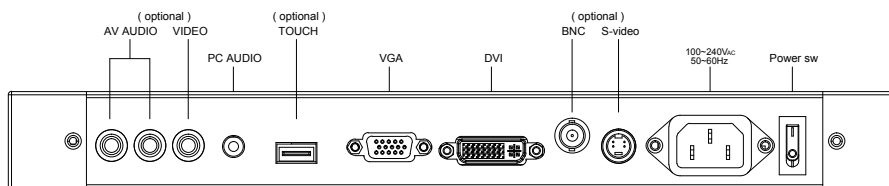
Front view



Rear view



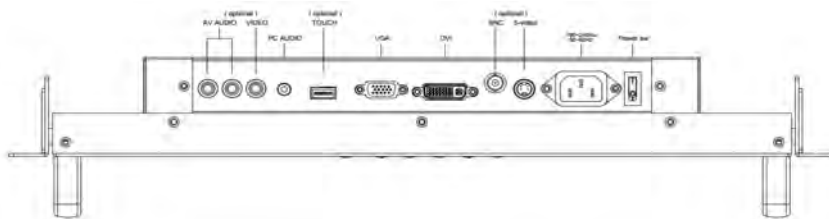
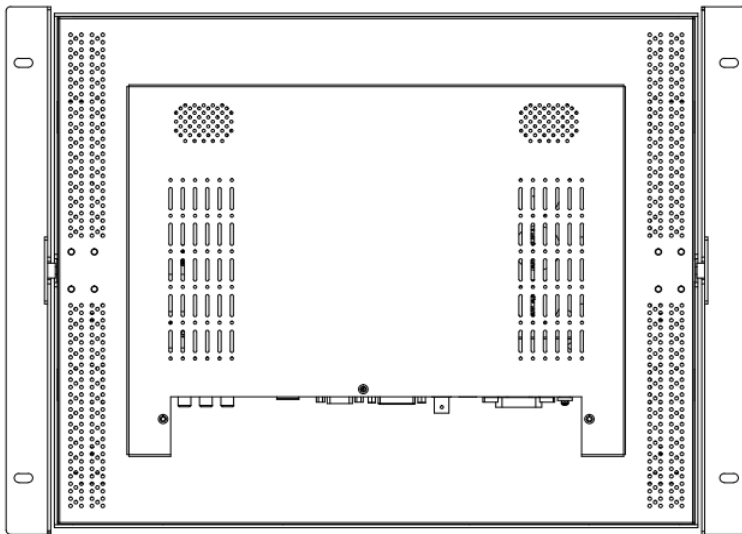
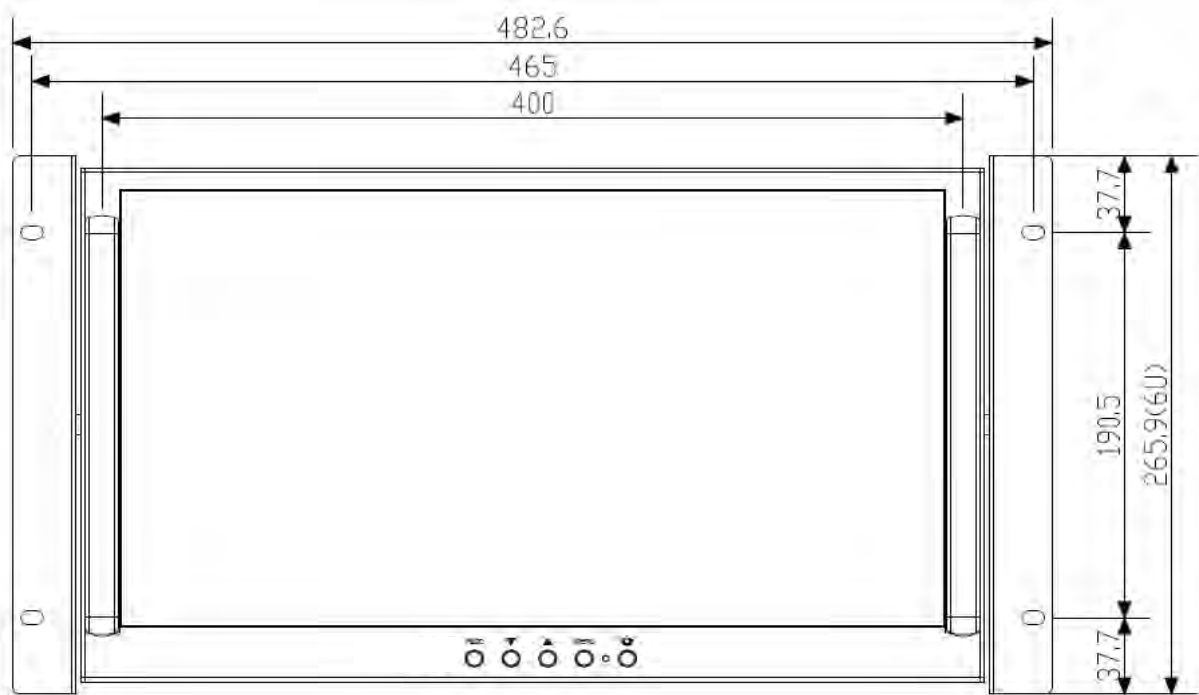
- ① LCD PANEL
- ② LCD OSD
- ③ Handle
- ④ Mounting bracket
- ⑤ I/O bracket



Basic I/O : DVI + VGA + Audio w/ speaker

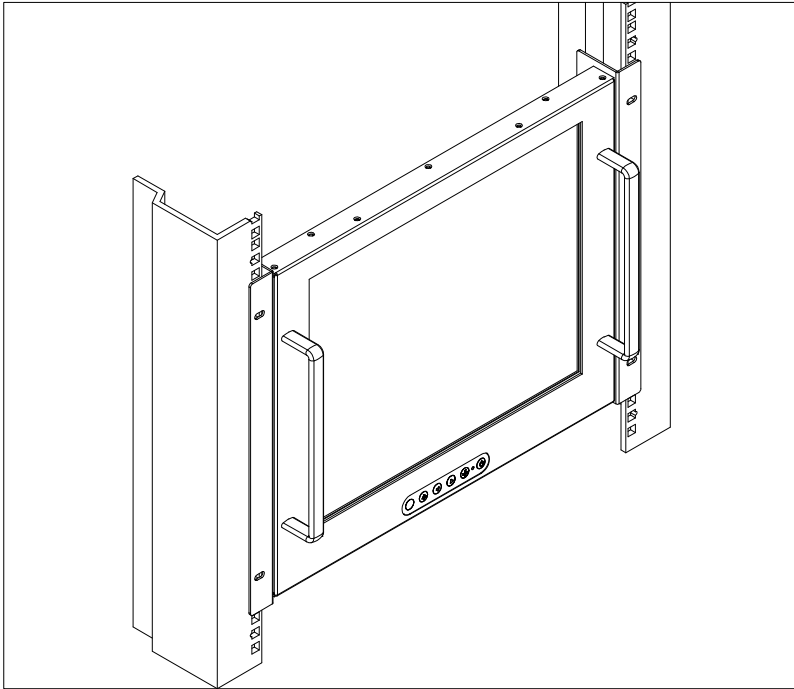
Options : AV , BNC , S_Video , touchscreen & DC power

< 1.2 > Dimension



Model	Product Dimension (W x D x H)	Packing Dimension (W x D x H)	Net Weight	Gross Weight
RMP-161-F17A	482.6 x 63 x 266 mm	620 x 210 x 400 mm	7 kg	9

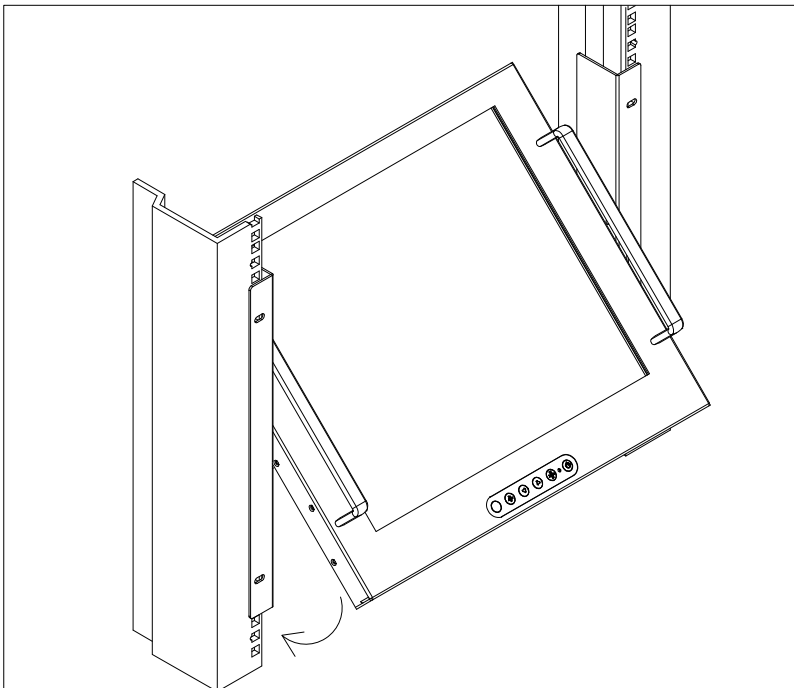
< 1.3 > Rack Mounting Installation



Step ①

Mount the RMB-17W display panel with M6 screw set
4 x M6 screw set are required

M6 screw sets are not provided.



Step ②

90° tilt adjustment while mounted in rack: +45°~-45°

< Part 2 >

< 2.1 > Product Specifications

RMP-161-F17A

LCD Panel	Manufacturer	AUO
	Panel Size (diagonal)	17.3 inch widescreen
	Display pixel (dots x lines)	1920 x 1080 (up to 1920 x 1200)
	Brightness (typ.)	300
	Contrast Ratio (typ.)	400:1
	Color	262K
	Viewing Angle (L/R/U/D)	70/70/60/60
	Response Time (ms)	16
	Dot pitch (mm)	0.1989(H) x 0.1989(V)
	Backlight Type	LED

Video Connectivity	Digital	DVI	DVI-D, TMDS single link
	Analog	VGA	Analog 0.7Vp-p
		Composite (RCA)	NTSC & PAL
		S-Video (4-pin)	NTSC & PAL
	Plug & Play	VGA	VESA EDID structure 1.3
	Synchronization	VGA	Separate, Composite & SOG

Audio Connectivity	Audio Input	Connector	3.5mm stereo jack
		Impedance / Power level	30k Ω / 750mV
	Speaker	Dual Stereo Speaker	2W x 2

Power	Power Supply	Range	Auto-sensing 100 to 240VAC, 50 / 60Hz

Regulatory	Safety	FCC & CE certified
	Environmental	RoHS2 & REACH compliant

Environmental Conditions	Operating	Temperature	0 to 55°C degree
		Humidity	20~90%, non-condensing
		Altitude	16,000 ft
	Storage / Non-operating	Temperature	-20 to 60°C degree
		Humidity	5~90%, non-condensing
		Altitude	40,000 ft
		Shock	10G acceleration (11ms duration)
		Vibration	5~500Hz 1G RMS random

Physical Specification	Product (W x D x H)	482.6 x 63 x 266 mm
	Packing (W x D x H)	620 x 210 x 400 mm
	Net Weight	7 kg
	Gross Weight	9 kg

Applicable Format	DVI-D / VGA Input	PC Signal	1920 x 1080 x 60Hz
			1360 x 768 x 60Hz
			1280 x 1024 x 60 / 75Hz
			1280 x 960 x 60Hz
			1280 x 768 x 60 / 75Hz
			1152 x 864 x 75Hz
			1024 x 768 x 60 / 70 / 75Hz
			848 x 480 x 60Hz
			800 x 600 x 60 / 72 / 75Hz
			720 x 400 x 70Hz
			640 x 480 x 60 / 72 / 75Hz
			640 x 400 x 70Hz
			640 x 350 x 70Hz

OSD Control buttons

LCD OSD can establish and setup LCD display. Setup instructions of four buttons are as follows:

Button	Functions
POWER	Turn on or off the LCD Display
Menu/Enter	Activate OSD menu, select a menu and press MENU key to confirm the selection and enter the submenu.
▲	Press this key to increase setting or scroll up the menu bar
▼	Press this key to Decrease setting or scroll down the menu bar
Auto	press the auto key to adjust screen display position (VGA mode)

< Part 3 >

< 3.1 > Options : Touchscreen



F21" USB Touchscreen Specification

Model	TRB e-Resistive	TCB e-Capacitive
Technology	5-Wire Resistive	Capacitive
Touch Point	Single	Single
Method	Stylus or Finger	Finger
Activation Force	≤ 50g / Stylus=R0.8	≤ 50g
Durability	10 million touches	300 million touches
Response Time	15 ms	20 ms
Optical Transmittance	80% ± 3%	87% ±2%
Surface Hardness	3H	9H
Haze	8% ± 3%	7%
Glass	3.2 ±0.2 mm	2.8 mm ±10%
Connector	USB Type A	
Compatibility	Windows 7 / XP / Vista, Linux	

- USB touchscreen package includes 2 x 1.8 M USB cable, quick reference guideline and CD disc
- For detailed information, please refer to the attached CD disc
- As the touchscreen unit is not made of toughened glass, please handle it carefully