



## Part# RMD-185

- ▶ 1U Short Depth Keyboard drawer
- ▶ 104-key keyboard with wired mouse with retractable cord
- ▶ Built-in Mouse storage compartment
- ▶ 3 USB Accessory HUBS for wireless mouse, flash drive
- ▶ Keyed lock, lock out rails, and security storage latches

Wired Mouse Included, Wireless Mouse Sold Separately  
 Short depth design (2 point mounting for stationary applications)  
 13.5" to 24" Standard Mounting Range for rugged 4 post mounting  
 Secure RH & LH latches for transit cases and mobile applications  
 Mouse height not to exceed 1.6" for storage clearance

Retractable wired mouse included



### Product Specifications

Console Port	
KB / MS	USB interface Drawer end : attached 6ft USB cable x 2 Server end : USB type A x 2

	Packing	560 x 490 x 150 mm 22 x 19 x 6 inch
Weight	Net	6.5 kg / 14.3 lb
	Gross	8.5 kg / 19 lb

\* All dimensions stated are subject to change if options are selected / integrated to base model part codes

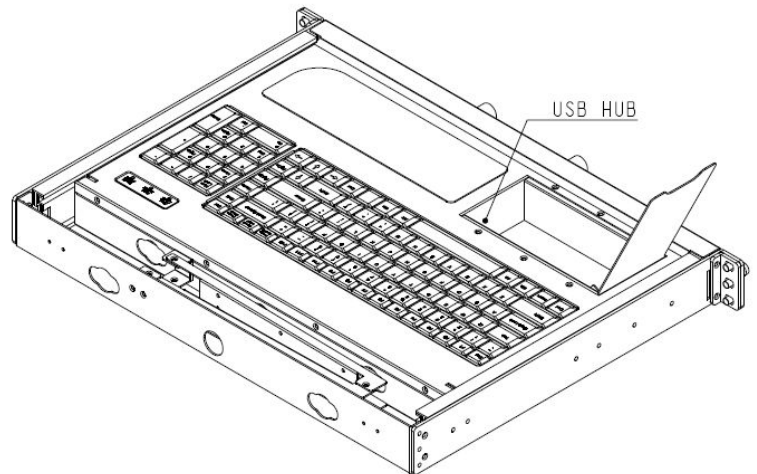
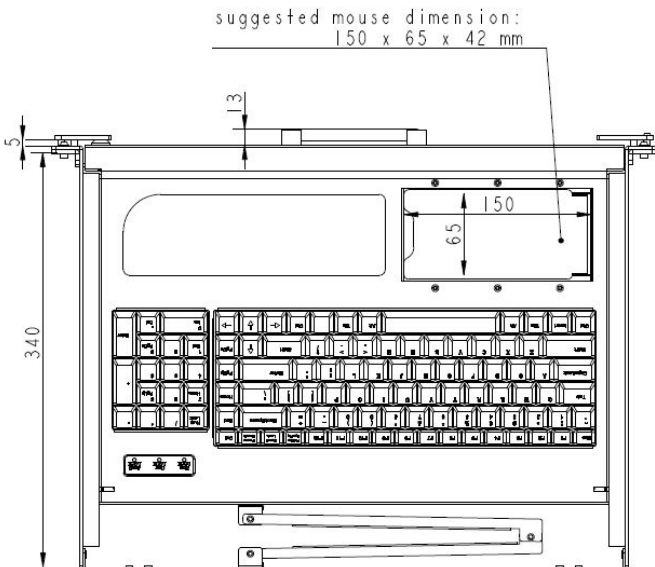
Mounting Distance	
Single console drawer /	560 ~ 790 mm 13.4 ~ 24 inch

Dimensions Product 483 x 340 x 44 mm  
 (W x D x H) 17.4 x 13.5 x 1.73 inch

Environment	
Operating temp.	-20 to 65°C degree
Storage temp.	-20 to 70°C degree
Operating humidity	5 ~ 95%, non-condensing
Storage humidity	5 ~ 95%, non-condensing
Operating altitude	16,000 ft
Non-operating altitude	40,000 ft
Shock	10G acceleration ( 11ms duration )
Vibration	10-300Hz 0.5G RMS random vibration

Compliance	
EMC	FCC & CE certified
Safety	CE / LVD certified
Environment	RoHS compliant

### Diagrams ( mm )





USB Accessory HUBS for wireless mouse (optional)



Wired Mouse with retractable cord included