

User Manual **Panel Mount Industrial Display Monitor**



LCD-AP-F15A

15.6 inch

Options :

- AR Hardness Glass**
- Touchscreen**
- DC power**



Contents

< Part. 1 > LCD-AP-F15A

1.1	Package Content	P.1
1.2	Structure Diagram & Dimension	P.1 - 2
1.3	Installation	P.3 - 4

< Part. 2 > Specifications / OSD

2.1	Product Specifications	P.5
2.2	On-screen Display Operation (OSD)	P.6

< Part. 3 > Options

3.1	Touchscreen	P..7
3.2	DC power	P.7

Before Installation

- It is very important to mount the equipment in a suitable cabinet or on a stable surface.
- Make sure the place has a good ventilation, is out of direct sunlight, away from sources of excessive dust, dirt, heat, water, moisture and vibration.

Unpacking

The equipment comes with the standard parts shown in package content. Check and make sure they are included and in good condition. If anything is missing, or damaged, contact the supplier immediately.

How To Clean Your LCD Monitor



Caution :

- To avoid the risk of electric shock, make sure your hands are dry before unplugging your monitor from or plugging your monitor into an electrical outlet.
- When you clean your monitor, do not press down on the LCD screen. Pressing down on the screen can scratch or damage your display. Pressure damage is not covered under warranty.
- Use only cleansers made specifically for cleaning monitors and monitor screens. Cleansers not made to clean monitors and monitor screens can scratch the LCD display or strip off the finish.
- Do not spray any kind of liquid directly onto the screen or case of your monitor. Spraying liquids directly onto the screen or case can cause damage which is not covered under warranty.
- Do not use paper towels or abrasive pads to clean your monitor. Using an abrasive pad or any wood based paper product such as paper towels can scratch your LCD screen.

Cleaning Your Monitor

To clean your LCD safely, please follow these steps :

- ① Disconnect the power cord.
- ② Gently wipe the surface using a clean, dry microfiber cloth. Use as little pressure as possible.

Cleaning Tough Marks and Smudges

To remove tough marks and smudges, please follow these steps :

- ① Disconnect the power cord.
- ② Spray a small amount of non-abrasive cleanser on a microfiber cloth.



Caution : Do not spray or apply any liquids directly onto the monitor. Always apply the solution to your microfiber cloth first, not directly on the parts you are cleaning.

- ③ Gently wipe the surface. Use as little pressure as possible.
- ④ Wait until your monitor is completely dry before plugging it in and powering it up.

< Part 1 >

< 1.1 > Package Content

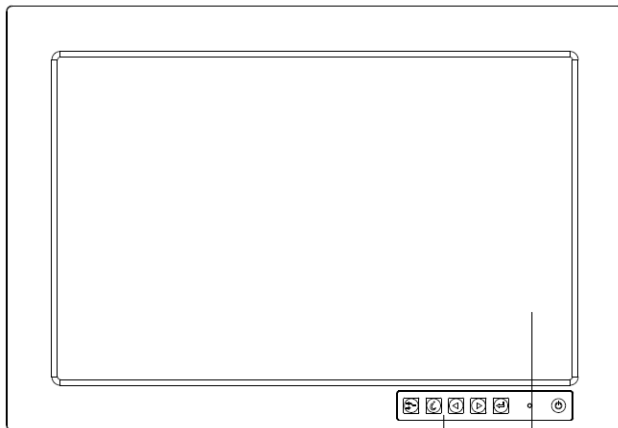


LCD-AP-F15A unit X 1

- 1.8 M VGA cable X 1
- 1.8 M DVI cable X 1
- 1.8 M Audio cable X 1
- Power cord and external power adaptor X 1

< 1.2 > Structure Diagram

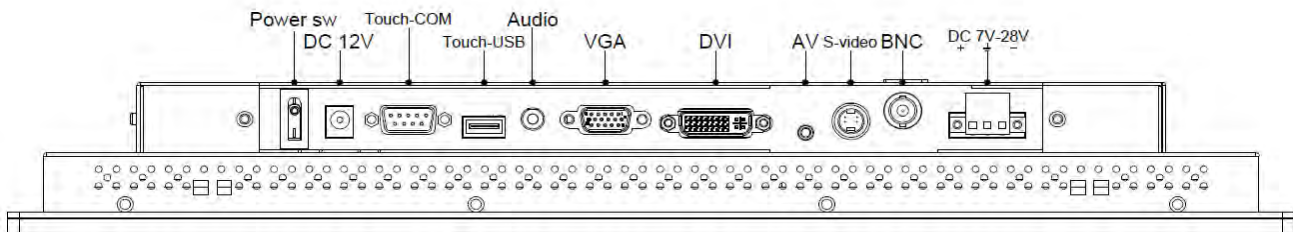
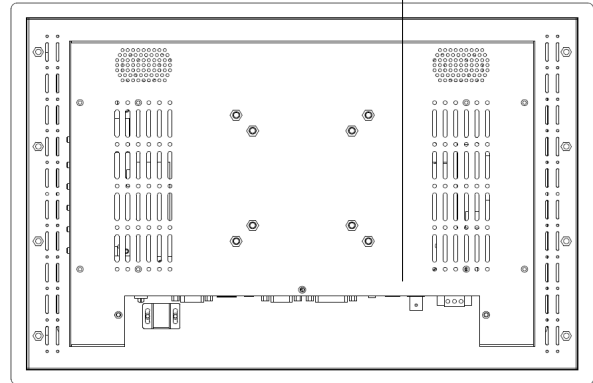
Front view



② ①

- ① LCD PANEL
- ② LCD OSD
- ③ I/O connector

Back view

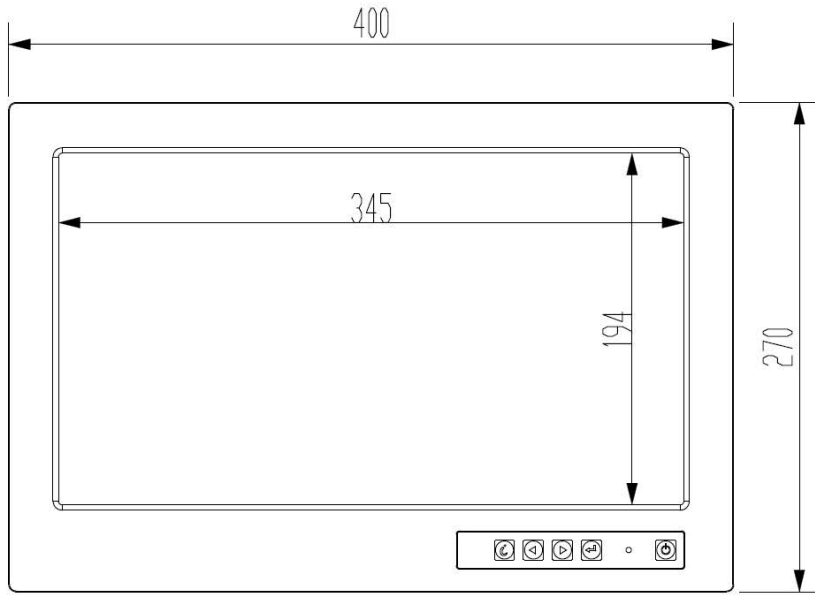


Basic I/O : DVI + VGA + Audio w/ speaker

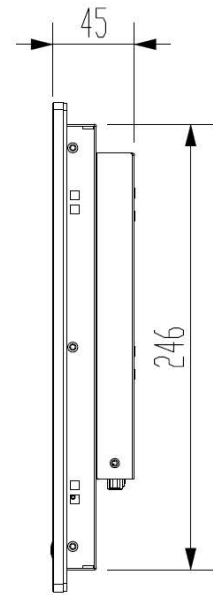
Options : AV , BNC , S_Video , touchscreen & DC power

< 1.2 > Dimension

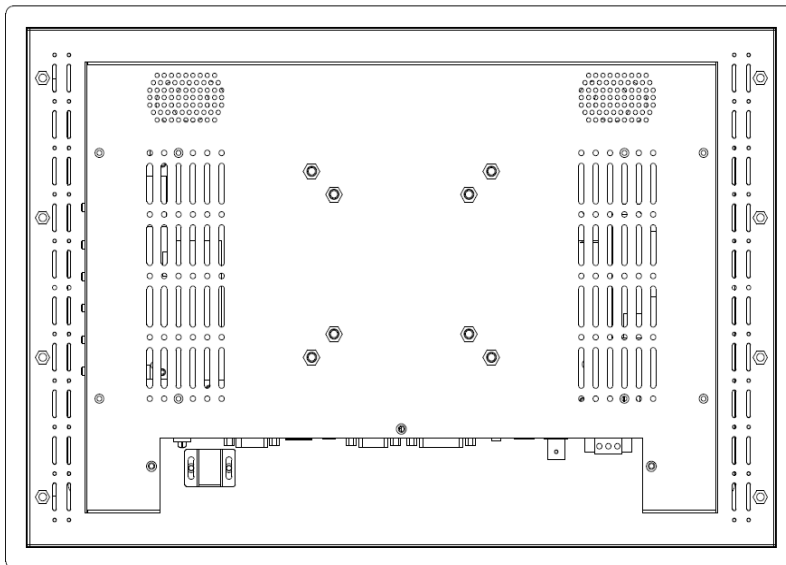
Front view



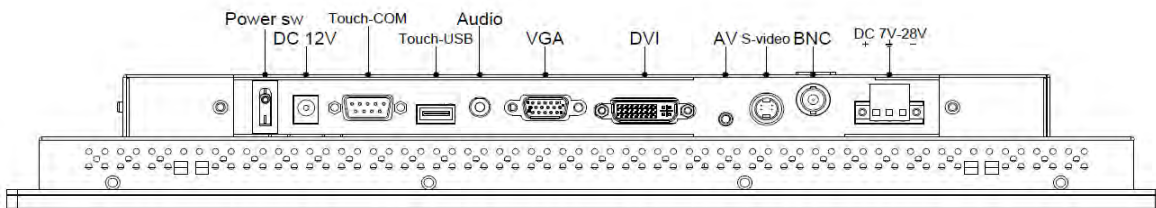
Side view



Back view

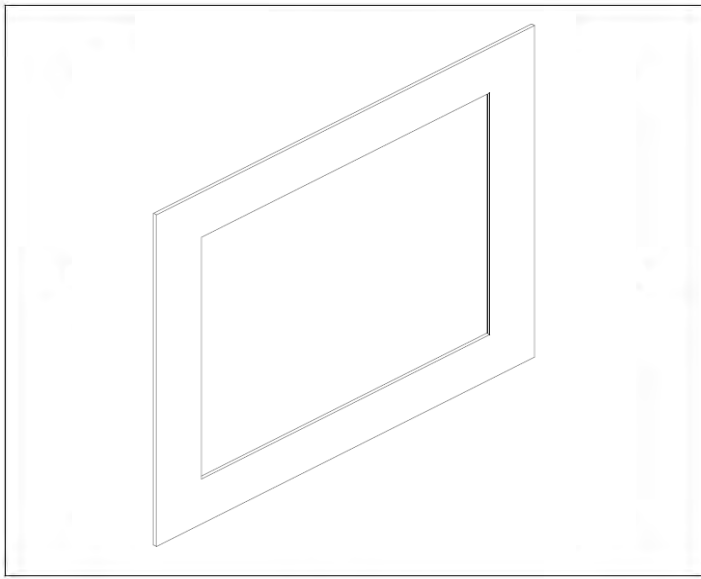


Bottom view



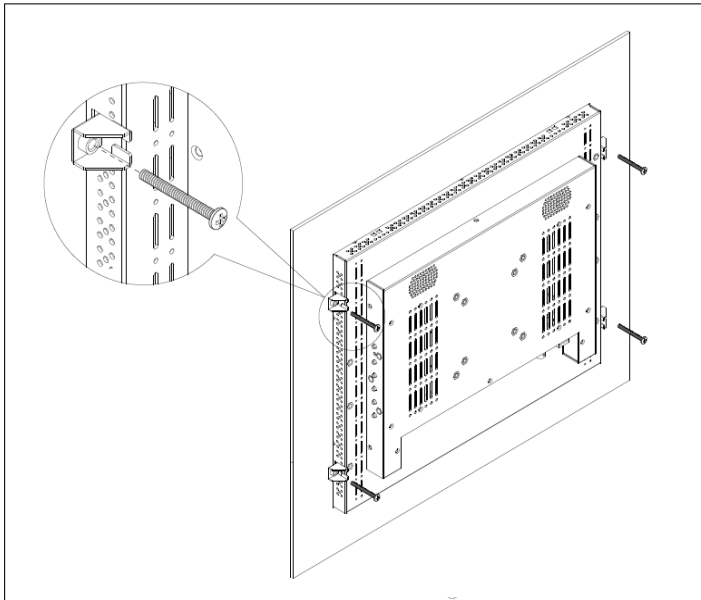
Model	Product Dimension (W x H x D)	Packing Dimension (W x H x D)	Net Weight	Gross Weight
RMP-161-F15A	400 x 270 x 45 mm	505 x 380 x 200 mm	5.5 kg	7kg

< 1.3 > Panel Mounting Installation:



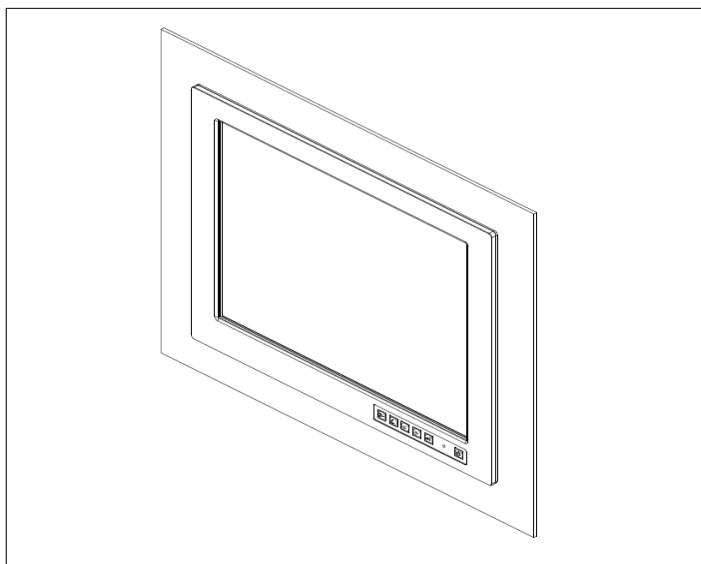
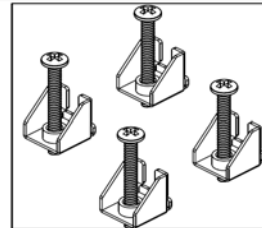
Step ①

Prepare a cutout on a fixture according to the cutout dimensions



Step ②

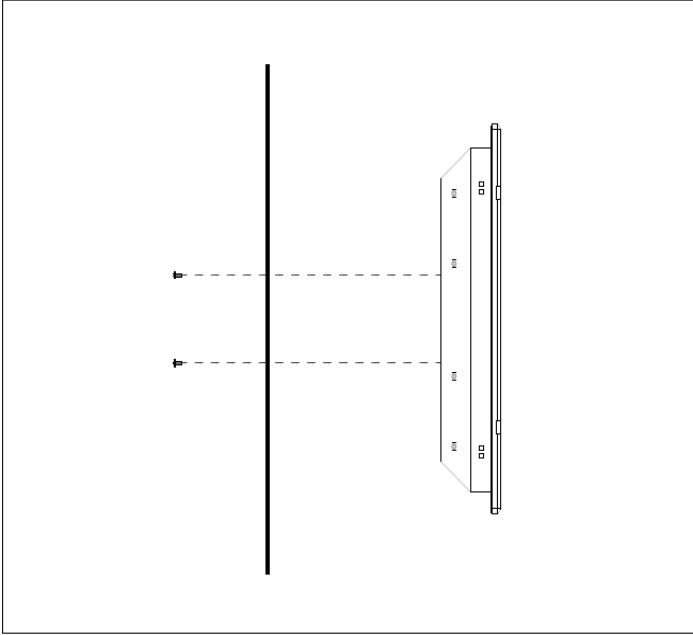
4 x mounting clips (in the accessory box)
Fix the Display into the panel bracket



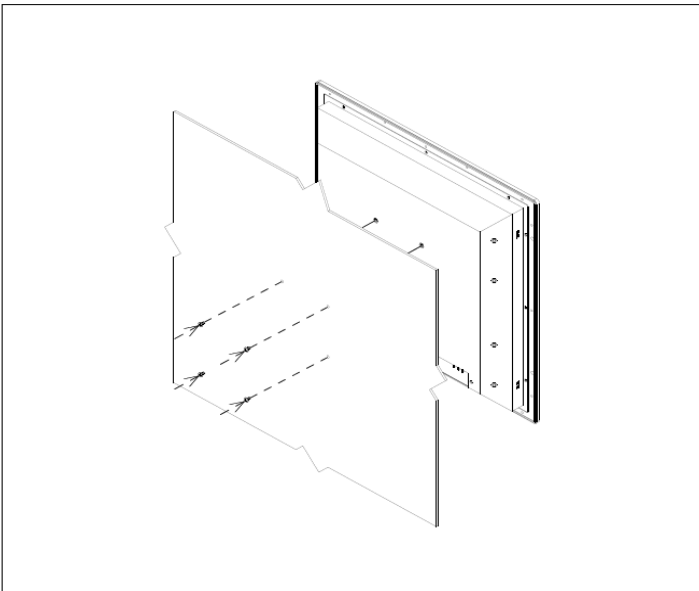
Step ③

Finish

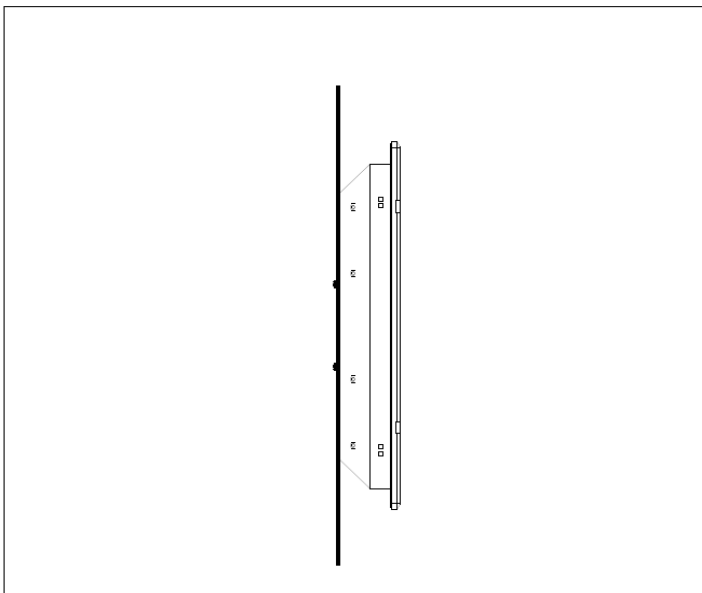
< 1.3 > Vesa Mounting Installation:



Step ①
Side view



Step ②
4 x M4-8L screw set are required.
Fix the Display into the panel bracket



Step ③
Finish

< Part 2 >

< 2.1 > Product Specifications

LCD Panel	Model NO.	LCD-AP-F15A
	Panel Size (diagonal)	15.6 inch wide TFT LCD
	Display pixel (dots x lines)	1920 x 1080, support up to 1920 x 1200
	Brightness (typ.)	220
	Contrast Ratio (typ.)	400:1
	Color	262K
	Viewing Angle (H/V)	120/100
	Response Time (ms)	8
	Dot pitch (mm)	0.17925 (H) x 0.17925 (V)
	Backlight Type	LED

Video Connectivity	Digital	DVI	DVI-D, TMDS single link
	Analog	VGA	Analog 0.7Vp-p
		Composite (RCA)	NTSC & PAL
		S-Video (4-pin)	NTSC & PAL
	Plug & Play	VGA	VESA EDID structure 1.3
Synchronization	VGA	Separate, Composite & SOG	

Audio Connectivity	Audio Input	Connector	3.5mm stereo jack
		Impedance / Power level	30kΩ / 750mV
	Speaker	Dual Stereo Speaker	2W x 2

Power	Power Supply	Range	Auto-sensing 100 to 240VAC, 50 / 60Hz
--------------	--------------	-------	---------------------------------------

Regulatory	Safety	FCC & CE certified
	Environmental	RoHS2 & REACH compliant

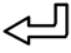



Environmental Conditions	Operating	Temperature	0 to 50°C degree
		Humidity	5~95%, non-condensing
	Storage (Non-operating)	Temperature	-20 to 60°C degree
		Humidity	5~90%, non-condensing
		Shock	15G acceleration(11ms duration)
Vibration	5~500Hz 1G RMS random		

Physical Specification	Product (W x D x H)	400 x 270 x 45 mm
	Packing (W x D x H)	505 x 380 x 200 mm
	Net Weight	5.5 kg
	Gross Weight	7 kg

< 2.2 > On-screen Display Operation (OSD)

OSD Control buttons

LCD OSD can establish and setup LCD display. Setup instructions of four buttons are as follows:

Button	Functions
Power	Turn on or off the LCD Display
	Activate OSD menu, select a menu and press MENU key to confirm the selection and enter the submenu.
	Scroll through menu options and adjust the displayed control
	press to exit OSD menu
	press to select video input

< Part 3 >

< 3.1 > Options : Touchscreen

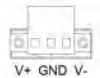


USB Touchscreen Specification

Model	TRB e-Resistive	TCB e-Capacitive
Technology	5-Wire Resistive	Capacitive
Touch Point	Single	Single
Method	Stylus or Finger	Finger
Activation Force	≤ 50g / Stylus=R0.8	≤ 50g
Durability	10 million touches	300 million touches
Response Time	15 ms	20 ms
Optical Transmittance	80% ± 3%	87% ±2%
Surface Hardness	3H	9H
Haze	8% ± 3%	7%
Glass	3.2 ±0.2 mm	2.8 mm ±10%
Connector	USB Type A	
Compatibility	Windows 7 / XP / Vista, Linux	

- USB touchscreen package includes 1 x 1.8 M USB cable
- For detailed information, please refer to the attached CD disc
- As the touchscreen unit is not made of toughened glass, please handle it carefully

< 3.2 > Options : DC power



Model	9~36V
Input rating	
Input voltage:	12-Volt
Input range:	9~36 V
Output rating	
Output voltage:	12-Volt
Output current:	8 A
Efficiency	80%