

LCD Drawer User Manual

17" / 19" / 17.3" MILSpec LCD Console



This manual, covering various aspects of the equipment such as installation, setup and cascade, will help you make full use of this LCD KVM Drawer. Please read this manual carefully and install and operate the equipment according to the manual to avoid damage to this product its accessories.

Product package includes following items:

- 1 * 17 or 19 or 17.3" inch LCD KVM Drawer;
- 1 * AC Power Cord with lock connector
- 1 * Rack installation bracket (one pair)
- 1 * USER'S manual (CD)
- 1 * 1.8 Meter VGA cable
- 1 * 1.8 Meter DVI cable
- 1 * 1.8 Meter USB A Type cable

Please check items above. If any item is missing or damaged, please contact us at your earliest convenience - sales@rackmountsales.com or 800-542-2489

Table of Contents

1	Introduction	-4-
	1.1 Overview	-4-
	1.2 Functions & Features	-4-
	1.3 Hardware Requirement	-4-
	1.3.1 Host Requirement	-4-
	1.3.2 Cables	-4-
	1.4 Product Specifications	-5-
	1.5 LCD Specifications	-5-
	1.6 Front View	-6-
	1.7 Rear View	-7-
2	Installation	-8-
	2.1 Rack Installation	-8-
	2.2 Standard Installation	-9-
	2.3 LCD KVM Console and KVM Cascade Installation	-10-
	2.4 LCD OSD Menu Setup	-11-
3	Certificates	-12-

1 Introduction

1.1 Overview

The 17", 19" , 17.3" LCD KVM integrates keyboard, LCD display and touch pad in a drawer type worktable and provides a convenient space-saving operation mode for KVM switch technology. The cover is an LCD display, while the base is keyboard and touchpad.

KVM console is a control device integrating 17", 19" or 17.3" LCD, 104 keys keyboard and touchpad mouse. You can access multiple hosts using the LCD console while saving money and efforts.

LCD KVM console is the best choice to save time and efforts. Since all hosts can be controlled from a single main control terminal, using the LCD KVM Console:(1)avoids the cost of keyboard, mouse and monitor of each host; (2) saves work space; (3) saves power; (4) saves the trouble of moving from one computer to another.

* For Mac and Sun hosts, USB cable must be used for connection.

1.2 Function & Features

The display is integrated to a drawer type worktable of 1U height to facilitate rack installation. It meets the 1U height of rack specifications and can be installed into 19 inch rack cabinet . No need to install additional software or hardware.

1.3 Hardware Requirement

1.3.1 Hosts Requirement:

- (1) DVI, VGA graphic card

Note: the max. resolution of the integrated LCD display is 1280x1024 (17" and 19")

the max. resolution of the integrated LCD display is 1920x1200 (17.3")

Make sure the resolution of any connected computer does not exceed this resolution.

- (2) USB port for keyboard and mouse.
- (3) USB 2.0 Hub for peripheral USB device

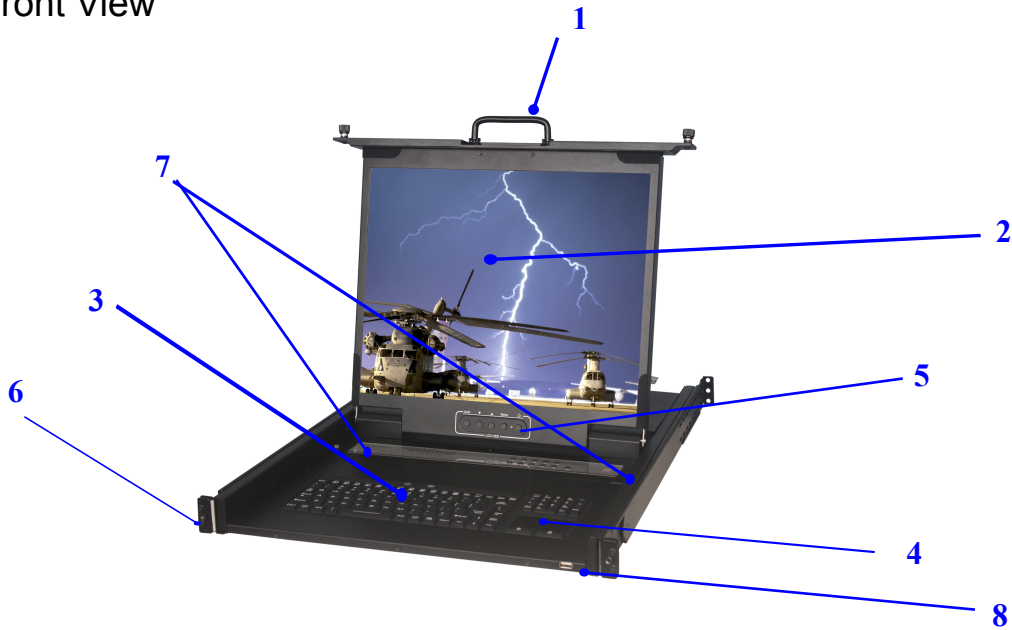
1.3.2 Cables

- (1) DB-15 VGA cable male to male
- (2) USB A Type Cable
- (3) DVI-D Cable male to male
- (4) AC Power Cord with lock connector

1.4 Product Specifications

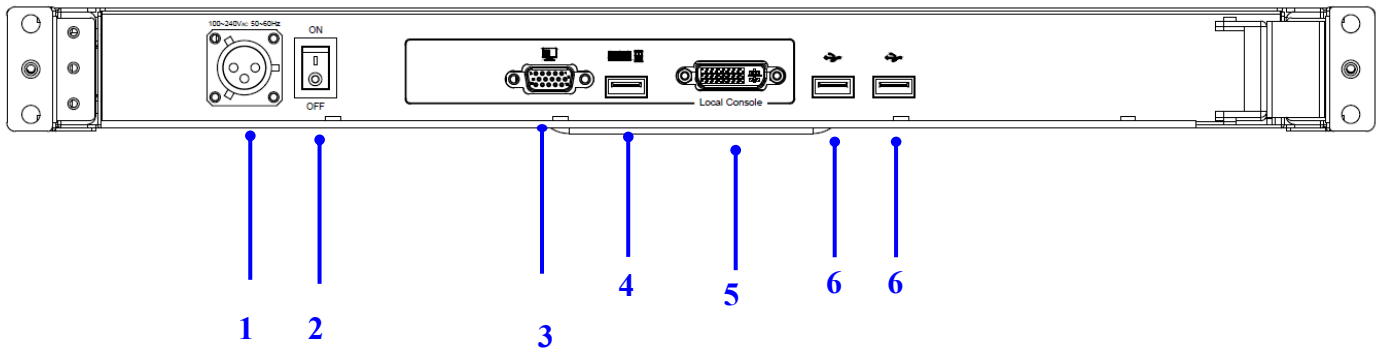
Model		17",19", 17.3 LCD-Console
Brightness		400cd/m2
Contrast		1000:1
Angle of visibility		170°(H),176°(V)
Color display		16.7M
Keyboard		104 keys
Mouse		touch pad mouse
Local Control Terminal	Keyboard/Mouse	USB 2.0
	DVI-D	24 pin DVI-D female connector
	VGA	HD-15 female connector
	USB 2.0	For USB peripheral device
Video resolution		1280 x 1024 (17", 19"); 1920 x 1080 (17.3")
Power supply		100-240V AC 50/60Hz via IEC Type power cord
Housing		Metal housing
Weight		14Kg
Dimension(W x H x D)		482 x 42 x 600 (mm)

1.6 Front View



NO	Part	Function Description
1	Handle to adjust screen position	
2	LCD display	
3	Waterproof-KeyBoard	
4	Waterproof-Touchpad	
5	LCD OSD buttons	LCD buttons to control Screen Display position and image setting.
6	Mounting bracket	Adjustable Depth rear mounting brackets
7	Lock button	Auto lock / release when lcd is pulled up and down
8	USB2.0 HUB port (1 on front, 2 USB2.0 HUBS on back)	

1.7 Rear View



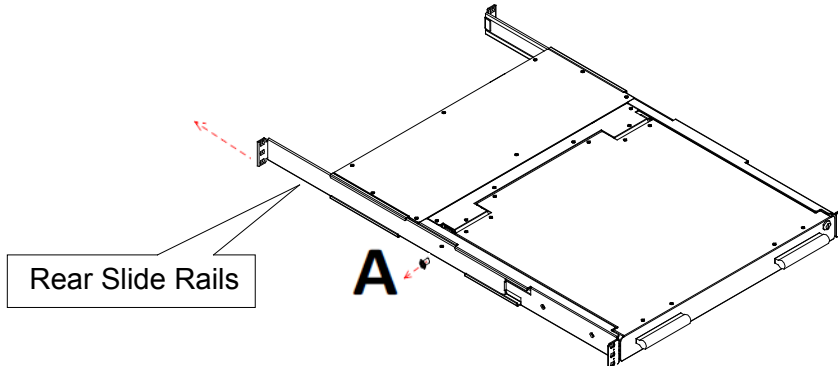
No	Component	Function Description
1	AC Power port	MIL lock connector
2	Power Switch	Rock switch, turn on/off equipment main power.
3	VGA port	Connect to server or KVM.
4	USB port	Connect to server or KVM.
5	DVI port	Connect to server or KVM.
6	USB 2.0	For USB peripheral device

2 Installation

2.1 Rack Installation

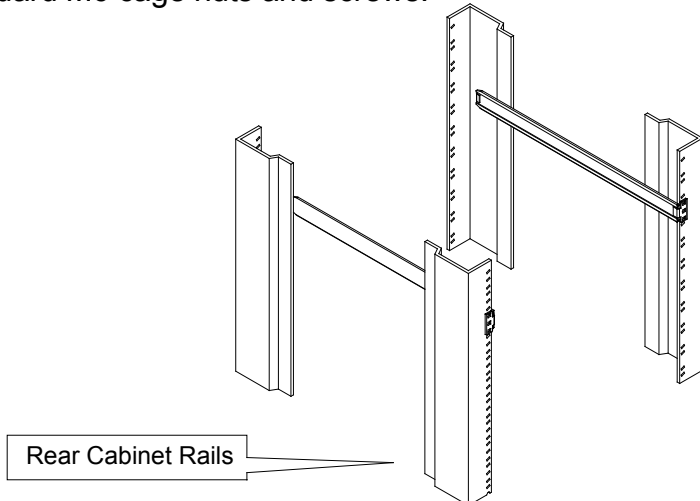
Step 1

Loosen screw **A** on both sides to slide out and remove the two rear slide rails.



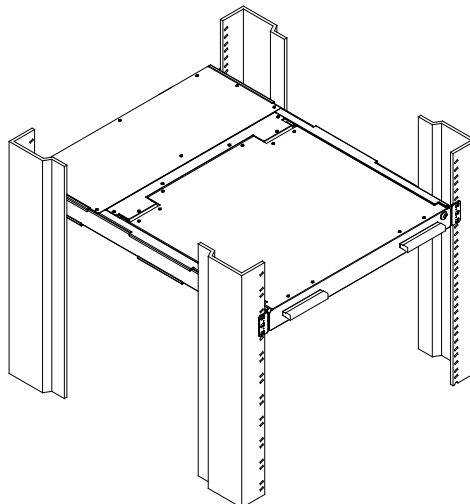
Step 2

Attach the two rear slide rails to the rear vertical mounting rails of the rack/cabinet using standard M6 cage nuts and screws.



Step 3

Position the LCD console drawer so the two rear slide rails will slide into the main body of the LCD console drawer. Attach the mounting ears of the LCD console drawer to the front vertical mounting rails of the rack cabinet using standard M6 cage nuts and screws.

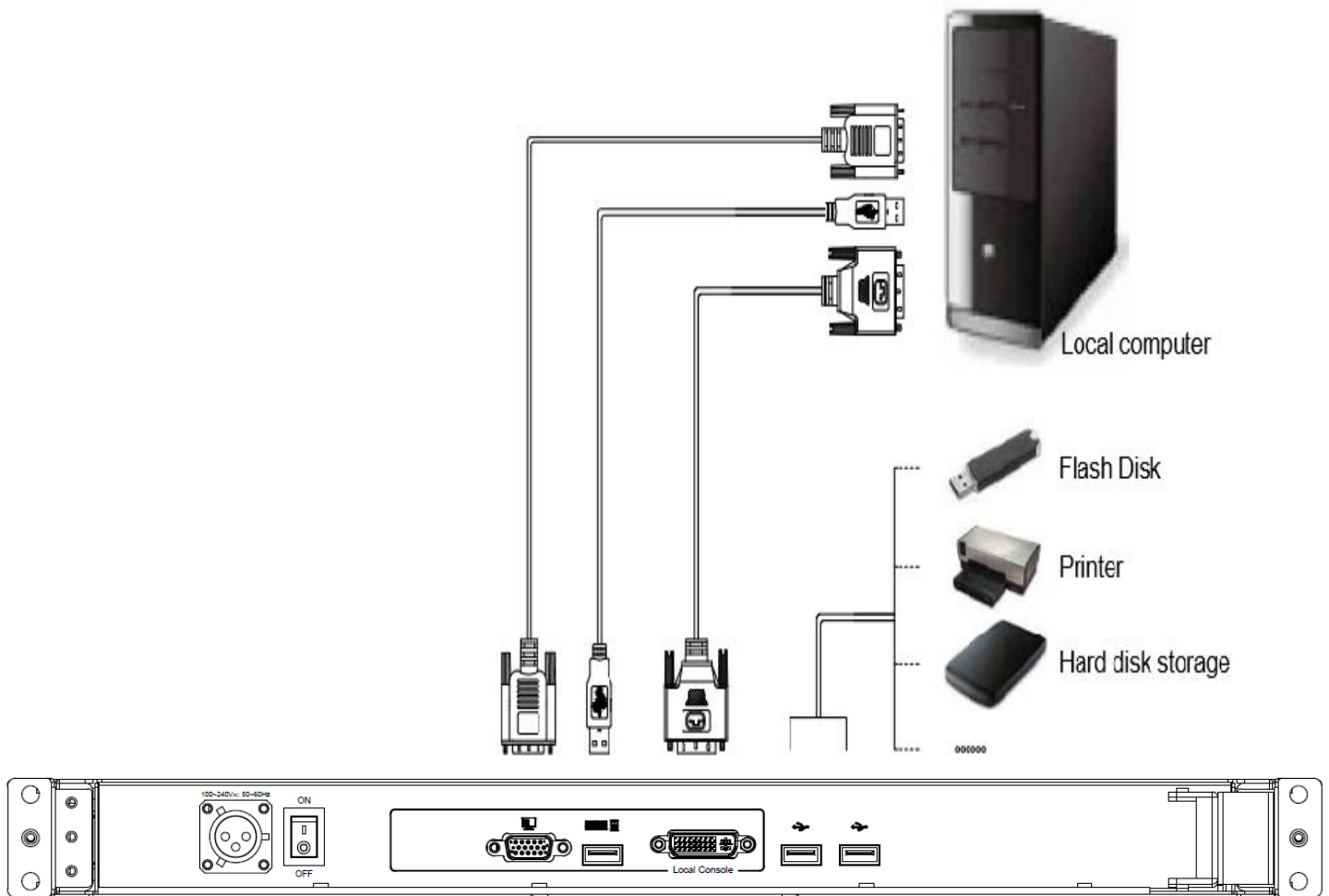


2.2 Standard Installation

Please follow the installation drawing and instructions below for standard installation:

- * Please Shutdown the Power of Equipment being connected
- * Make sure all equipment is grounded properly

When the installation is complete, the LCD KVM console can be powered on. Then turn power on connected devices.

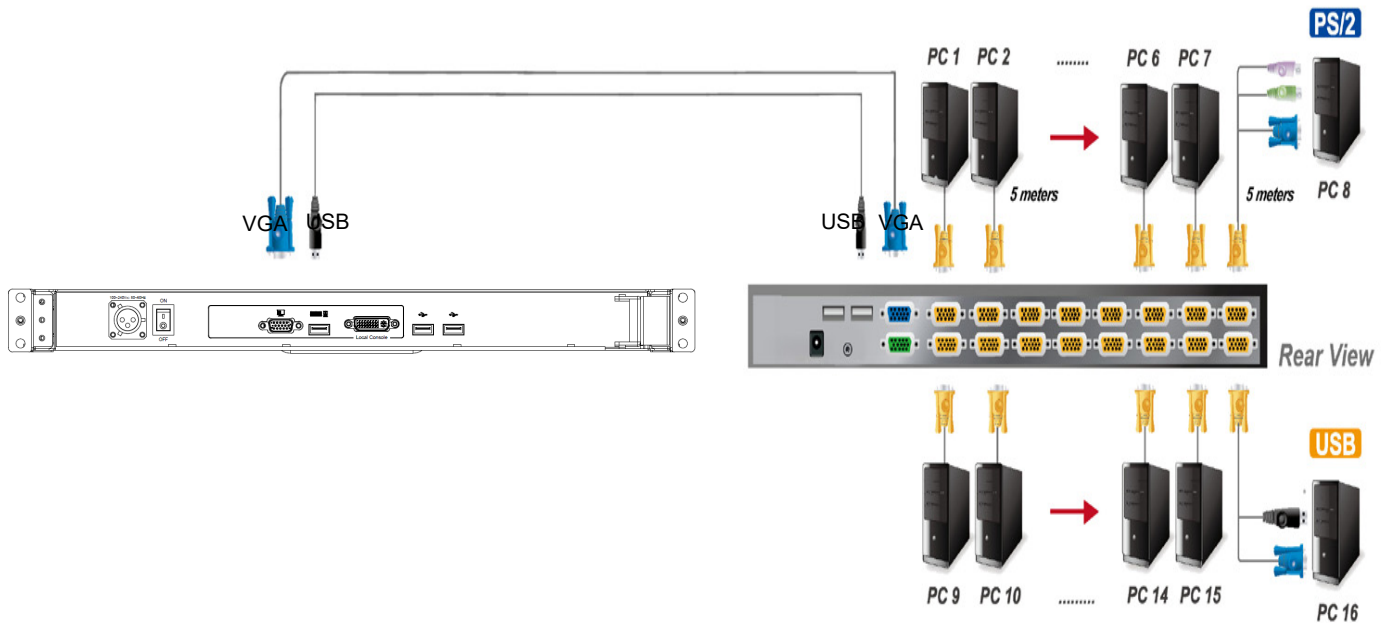


2.3 LCD KVM Console and KVM Cascade Installation

The LCD KVM console port can be directly connected to a KVM Switch to access and manage all connected hosts. Please follow the installation drawing and instructions for standard installation:

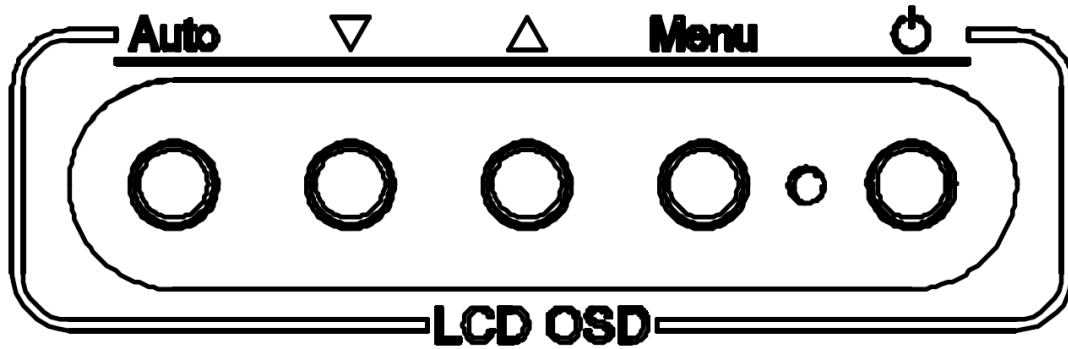
- (1) Make sure to power off all equipment to be connected to the KVM Switch.
- (2) Use an USB / VGA cable to connected the LCD and KVM switch console port.
- (3) Turn on the KVM and LCD console power first and then power on hosts to prevent loss of any keyboard or mouse.




Cascade connection drawing:



2.4 LCD OSD Menu Setup

On-screen display menu can establish on the LCD display. There are five buttons:



Button	Functions
	Turn on / off the LCD Display
Menu	Activate OSD menu / press to confirm the selection and enter into the sub-menu
	For scrolling or adjusting
	For scrolling or adjusting
Auto	For video input selection

3 Certificates

The LCD console is in conformity with the relevant Union harmonization legislation:

2014/35/EU (LVD Directive) EN 60950-1: 2006+A11: 2009+A1: 2010+A12: 2011+A2: 2013

2014/30/EU (EMC Directive) EN 55032: 2015
EN 61000-3-2: 2014
EN 61000-3-3: 2013
EN 55024: 2010+A1: 2015

2011/65/EU (RoHS Directive) on the restriction of the use of certain hazardous
and its amendment substances in electrical and electronic equipment (EEE)
(EU) 2015/863 with exemption clauses 6c, 7a, 7c-l.

REACH Regulation (EC) NO. to determine the content of the two hundred and twenty-
1907/2006 three Substances of Very High Concern (SVHC) in the
submitted sample. The SVHC which is defined as
UVCB substance (substance of **U**nknown or **V**ariable
composition, **C**omplex reaction products or **B**iological
materials)